

1. BSPP PORTS ARE SPOTFACE SEALING PER ISO 1179-1
2. MOUNTING THREADS M10 x 1.5-6H x 20MM (.79 IN.) DP.

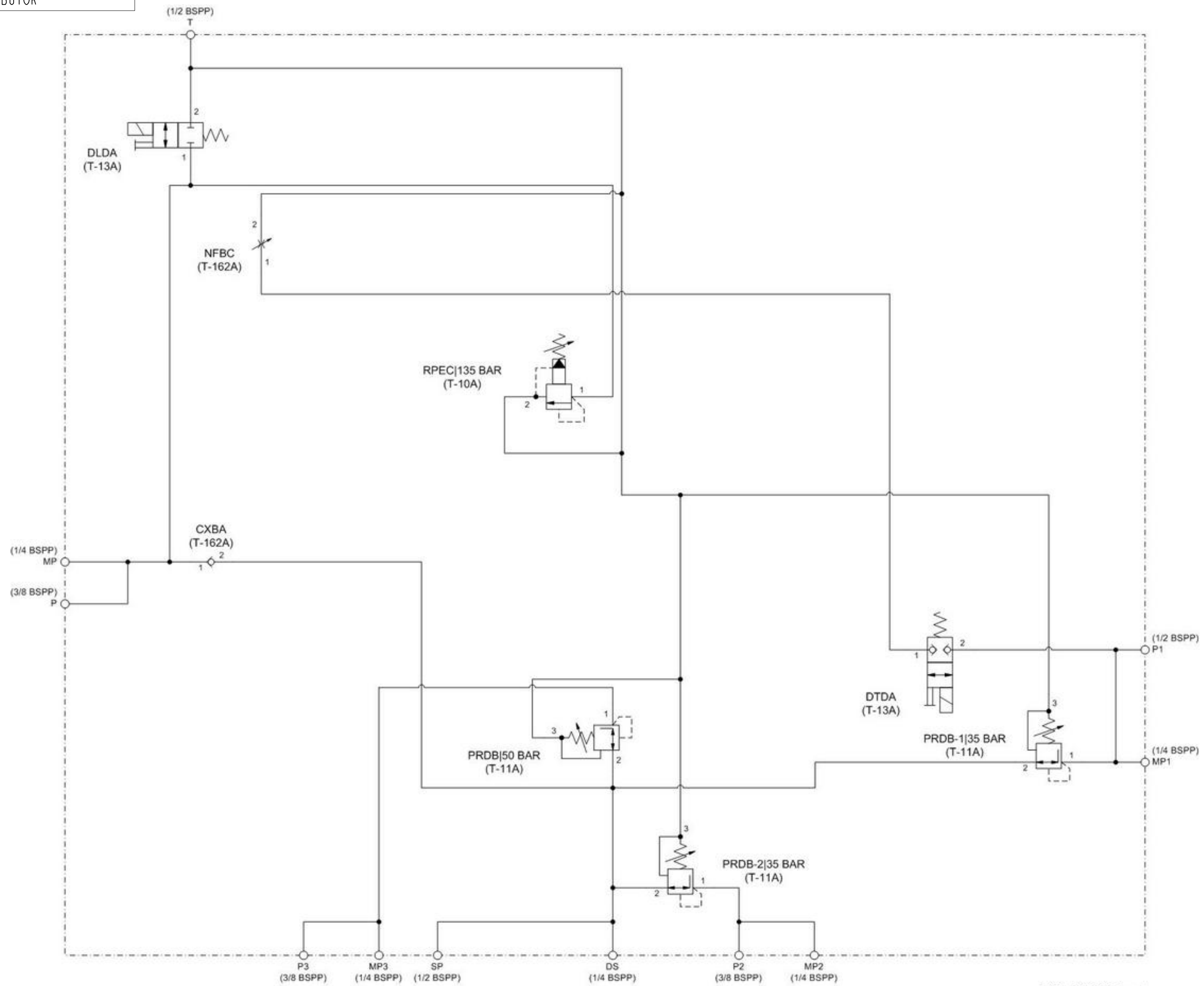
9	DLDA-MCN812			SOLENOID-OPERATED DIRECTIONAL VALVE	1
8	DTDA-MCN924			SOLENOID-OPERATED DIRECTIONAL VALVE	1
7	330-018-002			PLUG	5
6	RPEC-LAN	135 BAR		RELIEF VALVE	1
5	PRDB-LBN	50 BAR		PRESSURE REDUCING/RELIEVING VALVE	1
4	PRDB-LDN	35 BAR		PRESSURE REDUCING/RELIEVING VALVE	2
3	NFBC-LCN			NEEDLE VALVE	1
2	CXBA-XCN			CHECK VALVE	1
1	B401-170-999-0		6061-T6 ALUMINUM	BODY	1
I T E M	PART NO.	SETTING	MATERIAL	PART NAME	Q T Y

THIS DESIGN HAS BEEN GENERATED BY AN AUTOMATED PROCESS AND IS BASED SOLELY ON DIGITAL INPUT FROM YOU, QUICK QUOTE TEST DISTRIBUTOR AND/OR QUICK QUOTE CUSTOMER. CAREFUL CONSIDERATION MUST BE GIVEN TO THE CIRCUIT AND THE RESULTING MANIFOLD DESIGN PRIOR TO THE MANUFACTURING AND INSTALLATION OF THE ASSEMBLY.

THIS DRAWING AND DESIGN IS THE PROPERTY OF QUICK QUOTE TEST DISTRIBUTOR AND MAY NOT BE COPIED OR DISTRIBUTED IN ANY WAY DETRIMENTAL TO QUICK QUOTE TEST DISTRIBUTOR WITHOUT WRITTEN PERMISSION FROM QUICK QUOTE TEST DISTRIBUTOR

DESIGNED BY: LISA COOLBETH	DATE 17JAN2014	ALL DIMENSIONS IN MM VIEWS ARE THIRD ANGLE	FIRST ANGLE 	THIRD ANGLE 
REFERENCE	SCALE 1.000	TITLE CUSTOM MANIFOLD FOR QUICK QUOTE CUSTOMER BY QUICK QUOTE TEST DISTRIBUTOR	VERSION 1	PROJECT I.D. B401-170-999

THIS DRAWING AND DESIGN IS THE PROPERTY OF QUICK QUOTE TEST DISTRIBUTOR AND MAY NOT BE COPIED OR DISTRIBUTED IN ANY WAY DETRIMENTAL TO QUICK QUOTE TEST DISTRIBUTOR WITHOUT WRITTEN PERMISSION FROM QUICK QUOTE TEST DISTRIBUTOR



B401-170-999 Rev. 1  
17-Jan-2014 11:22 AM

THIS DESIGN HAS BEEN GENERATED BY AN AUTOMATED PROCESS AND IS BASED SOLELY ON DIGITAL INPUT FROM YOU, QUICK QUOTE TEST DISTRIBUTOR AND/OR QUICK QUOTE CUSTOMER. CAREFUL CONSIDERATION MUST BE GIVEN TO THE CIRCUIT AND THE RESULTING MANIFOLD DESIGN PRIOR TO THE MANUFACTURING AND INSTALLATION OF THE ASSEMBLY.

DESIGNED BY: LISA COOLBETH	DATE 17JAN2014	ALL DIMENSIONS IN MM VIEWS ARE THIRD ANGLE	FIRST ANGLE 	THIRD ANGLE 
REFERENCE	SCALE 1.000	TITLE CUSTOM MANIFOLD FOR QUICK QUOTE CUSTOMER BY QUICK QUOTE TEST DISTRIBUTOR	VERSION I	PROJECT I.D. B401-170-999

THIS DRAWING AND DESIGN IS THE PROPERTY OF QUICK QUOTE TEST DISTRIBUTOR AND MAY NOT BE COPIED OR DISTRIBUTED IN ANY WAY DETRIMENTAL TO QUICK QUOTE TEST DISTRIBUTOR WITHOUT WRITTEN PERMISSION FROM QUICK QUOTE TEST DISTRIBUTOR

Connection Grid B401-170-999-QD1 17-JAN-2014 11:44AM

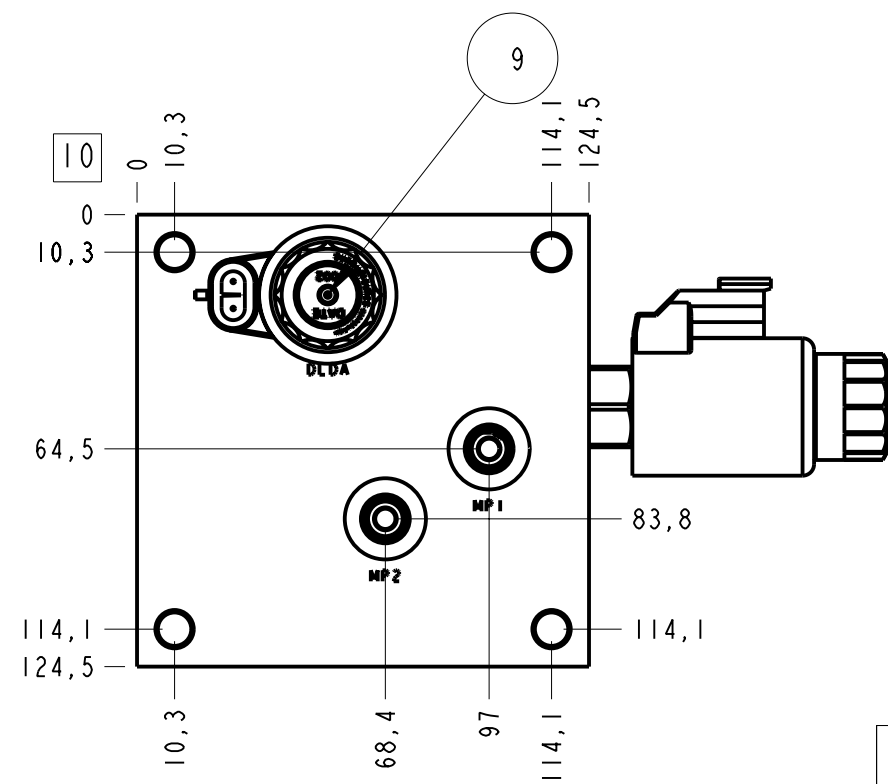
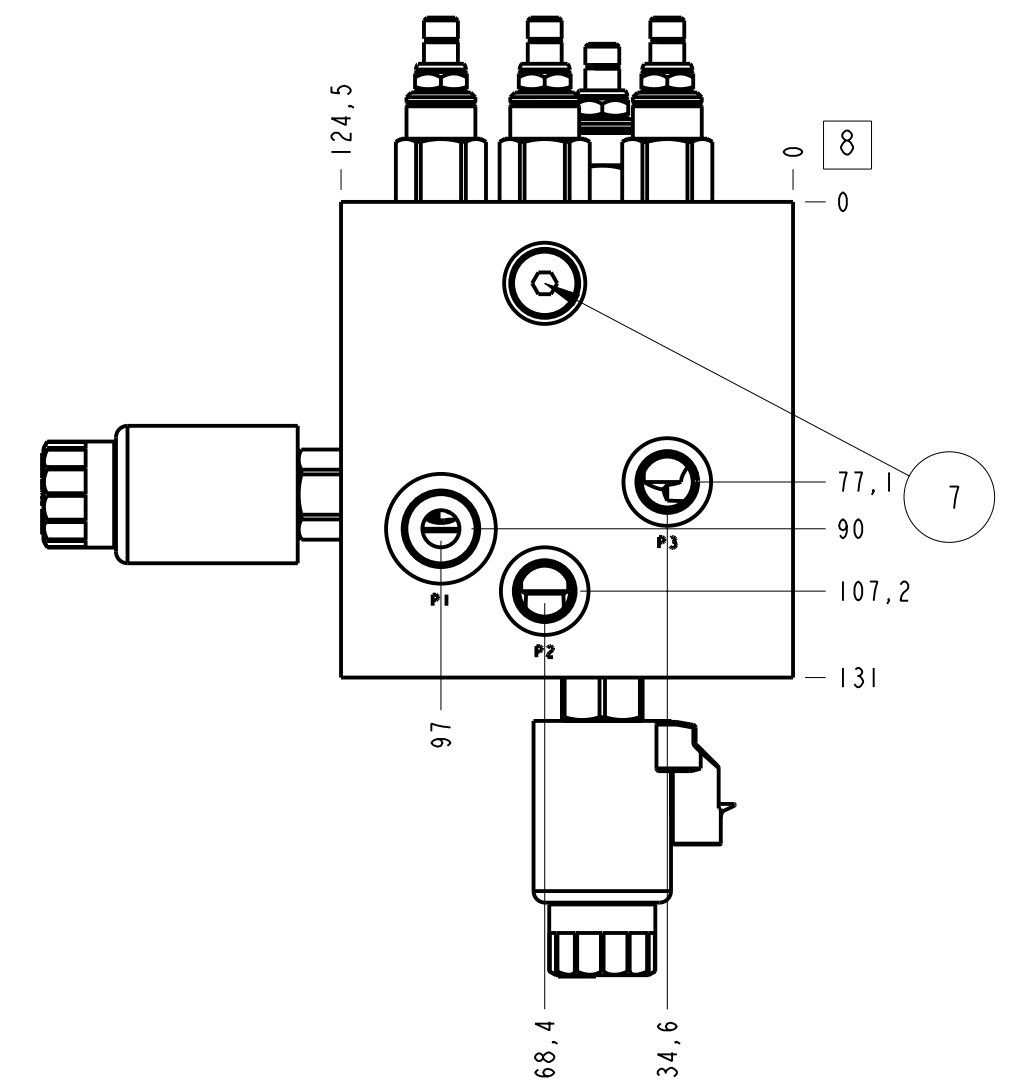
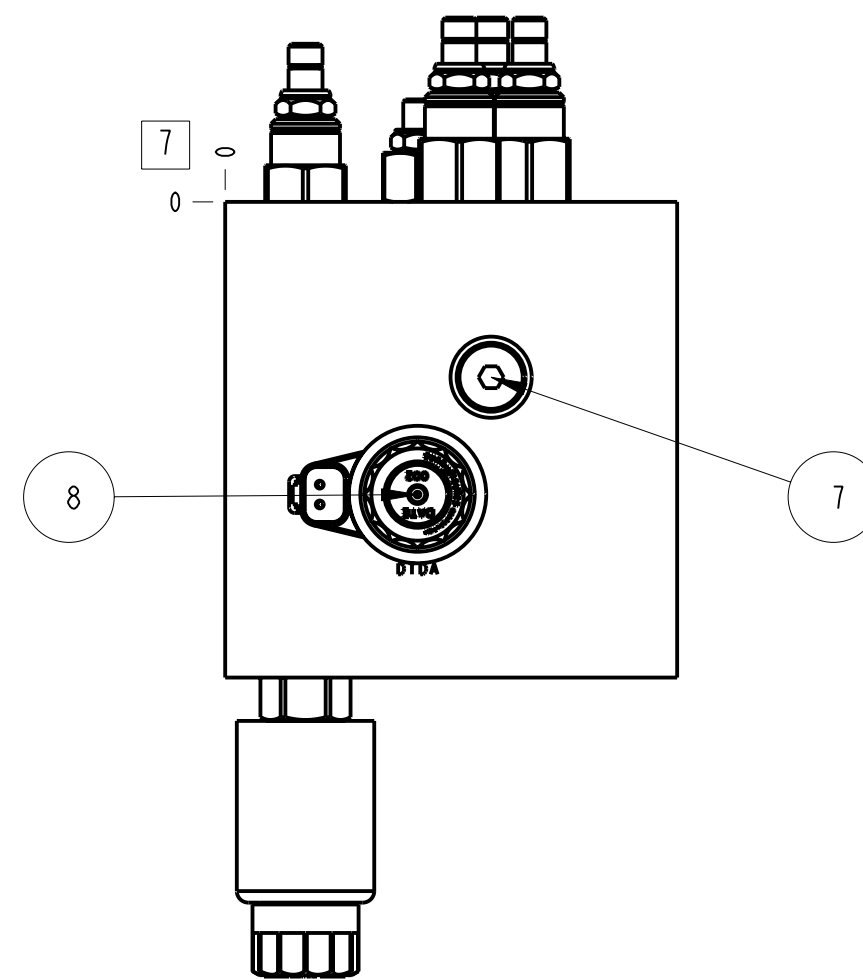
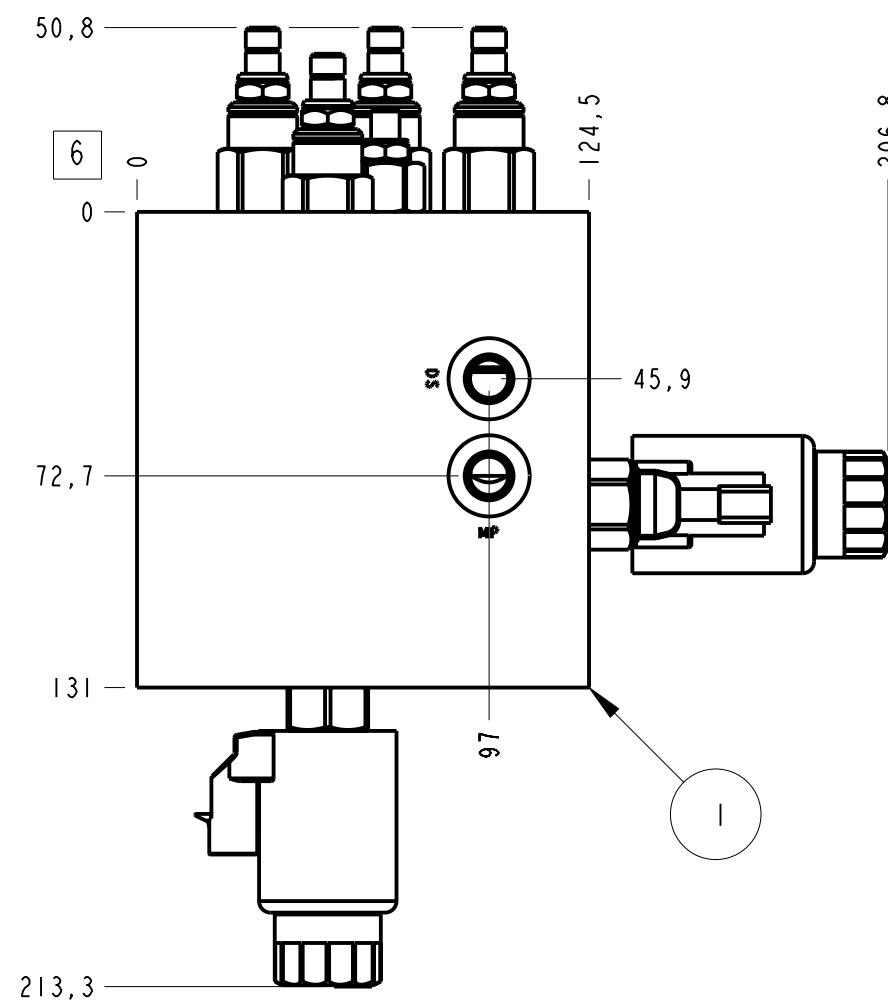
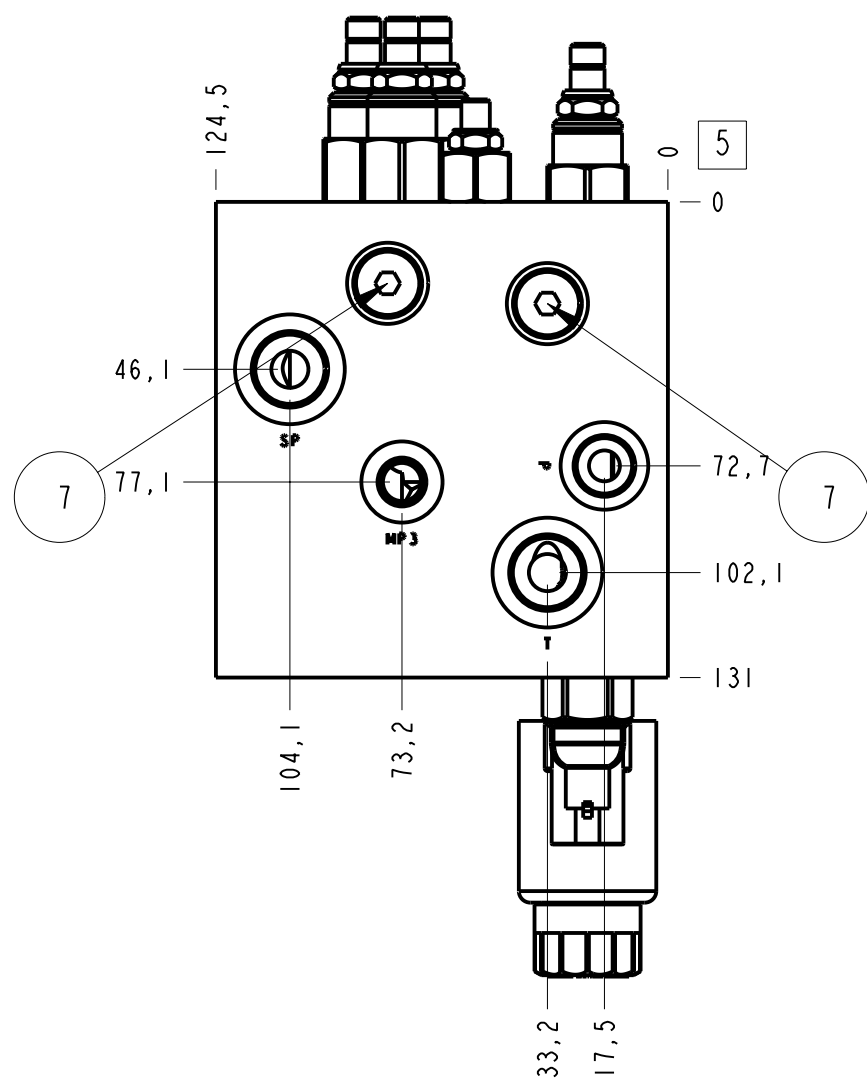
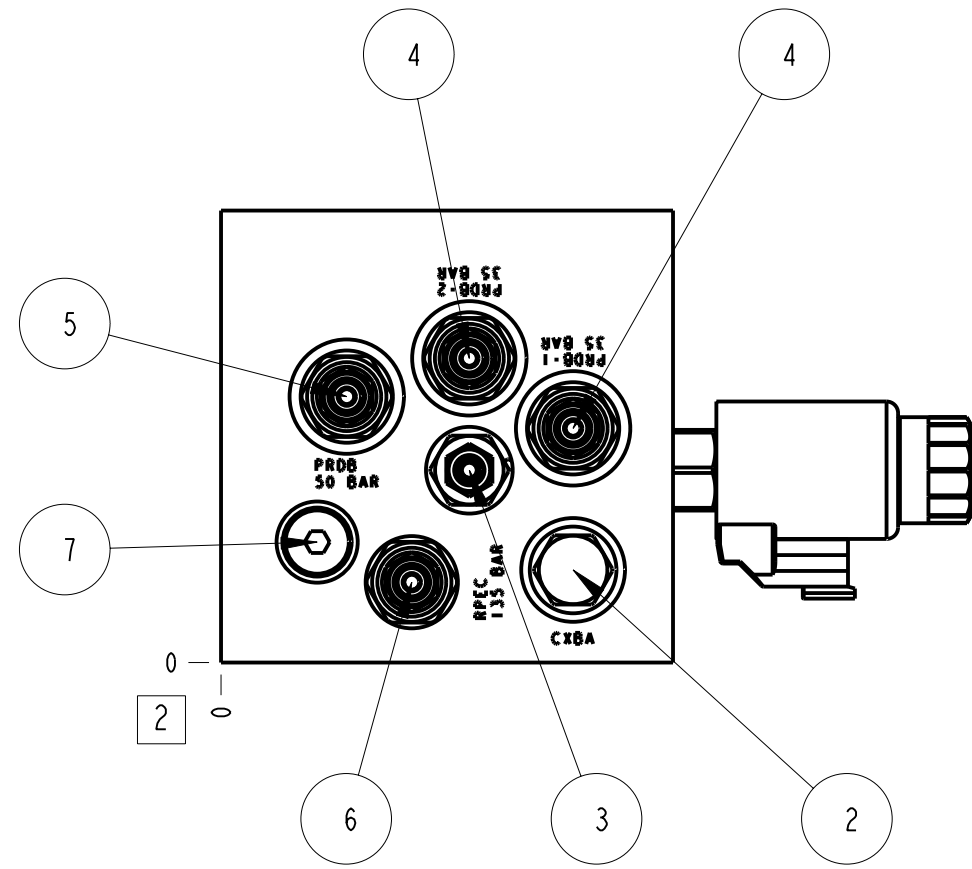
Ports	Nets							Sizes
	A	B	C	D	E	F	G	
P1								
SP		B	C					1/2 BSPP
T							G	
DS		B						
MP	A							
MP1			C					1/4 BSPP
MP2					E			
MP3						F		
P	A							
P2							E	
P3								3/8 BSPP
Cartridges	Port	Symbols						
CXBA T-162A	1 2	A B						
DLDA T-13A	1 2	A					G	
DTDA T-13A	1 2		D					
NFBC T-162A	1 2			D			G	
PRDB-1 35 BAR T-11A	1 2 3		B				G	
PRDB-2 35 BAR T-11A	1 2 3		B		E		G	
PRDB 50 BAR T-11A	1 2 3		B			F	G	
RPEC 135 BAR T-10A	1 2	A					G	

THIS DESIGN HAS BEEN GENERATED BY AN AUTOMATED PROCESS AND IS BASED SOLELY ON DIGITAL INPUT FROM YOU, QUICK QUOTE TEST DISTRIBUTOR AND/OR QUICK QUOTE CUSTOMER. CAREFUL CONSIDERATION MUST BE GIVEN TO THE CIRCUIT AND THE RESULTING MANIFOLD DESIGN PRIOR TO THE MANUFACTURING AND INSTALLATION OF THE ASSEMBLY.

DESIGNED BY: LISA COOLBETH	DATE 17JAN2014	ALL DIMENSIONS IN MM VIEWS ARE THIRD ANGLE		
REFERENCE	SCALE 1.000	TITLE CUSTOM MANIFOLD FOR QUICK QUOTE CUSTOMER BY QUICK QUOTE TEST DISTRIBUTOR	VERSION I	PROJECT I.D. B401-170-999

THIS DRAWING AND DESIGN IS THE PROPERTY OF QUICK QUOTE TEST DISTRIBUTOR AND MAY NOT BE COPIED OR DISTRIBUTED IN ANY WAY DETRIMENTAL TO QUICK QUOTE TEST DISTRIBUTOR WITHOUT WRITTEN PERMISSION FROM QUICK QUOTE TEST DISTRIBUTOR

2			
5	6	7	8
10			
Face Legend			



THIS DESIGN HAS BEEN GENERATED BY AN AUTOMATED PROCESS AND IS BASED SOLELY ON DIGITAL INPUT FROM YOU, QUICK QUOTE TEST DISTRIBUTOR AND/OR QUICK QUOTE CUSTOMER. CAREFUL CONSIDERATION MUST BE GIVEN TO THE CIRCUIT AND THE RESULTING MANIFOLD DESIGN PRIOR TO THE MANUFACTURING AND INSTALLATION OF THE ASSEMBLY.

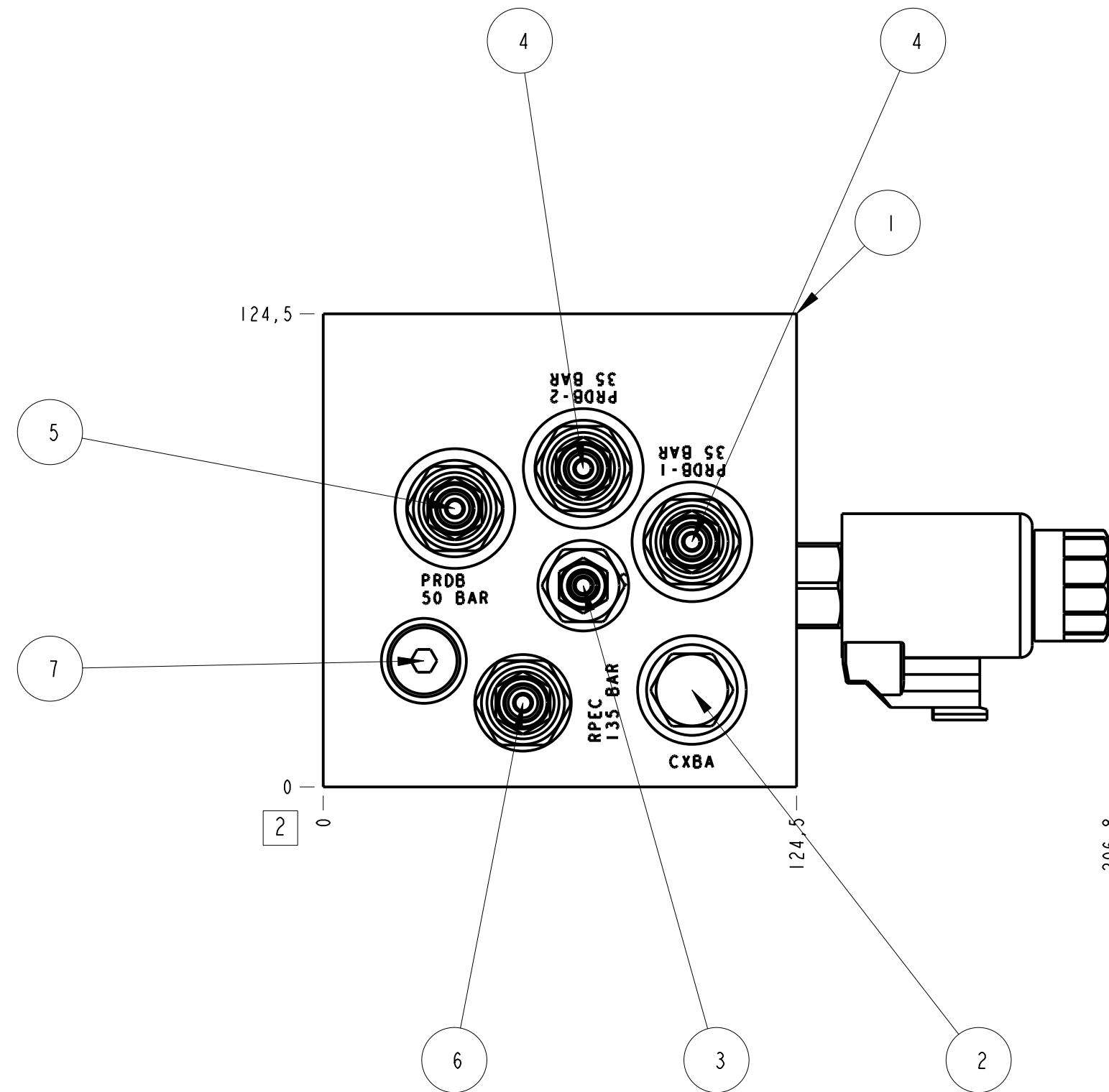
DESIGNED BY: LISA COOLBETH	DATE 17JAN2014	ALL DIMENSIONS IN MM VIEWS ARE THIRD ANGLE	FIRST ANGLE	THIRD ANGLE
REFERENCE	SCALE 0.480	TITLE CUSTOM MANIFOLD FOR QUICK QUOTE CUSTOMER BY QUICK QUOTE TEST DISTRIBUTOR	VERSION 1	PROJECT I.D. B401-170-999

THIS DRAWING AND DESIGN IS THE PROPERTY OF QUICK QUOTE TEST DISTRIBUTOR AND MAY NOT BE COPIED OR DISTRIBUTED IN ANY WAY DETRIMENTAL TO QUICK QUOTE TEST DISTRIBUTOR WITHOUT WRITTEN PERMISSION FROM QUICK QUOTE TEST DISTRIBUTOR

VERSION PROJECT I.D.  
1 B401-170-999

SHEET 5 OF 10

2
5 6 7 8
10
Face Legend



THIS DESIGN HAS BEEN GENERATED BY AN AUTOMATED PROCESS AND IS BASED SOLELY ON DIGITAL INPUT FROM YOU, QUICK QUOTE TEST DISTRIBUTOR AND/OR QUICK QUOTE CUSTOMER. CAREFUL CONSIDERATION MUST BE GIVEN TO THE CIRCUIT AND THE RESULTING MANIFOLD DESIGN PRIOR TO THE MANUFACTURING AND INSTALLATION OF THE ASSEMBLY.

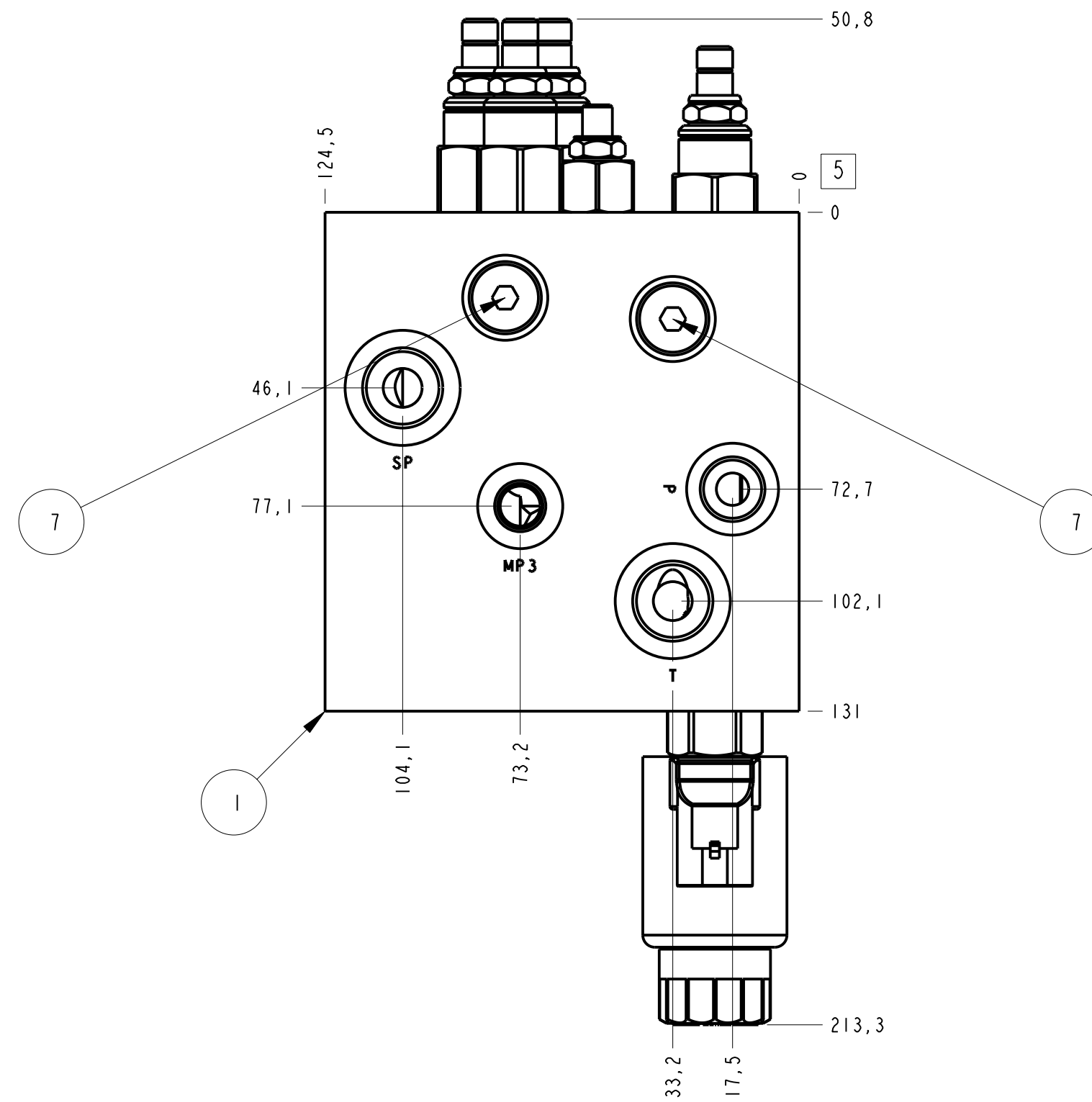
DESIGNED BY: LISA COOLBETH	DATE 17 JAN 2014	ALL DIMENSIONS IN MM VIEWS ARE THIRD ANGLE	FIRST ANGLE	THIRD ANGLE
REFERENCE	SCALE 0.700	TITLE CUSTOM MANIFOLD FOR QUICK QUOTE CUSTOMER BY QUICK QUOTE TEST DISTRIBUTOR	VERSION 1	PROJECT I.D. B401-170-999

THIS DRAWING AND DESIGN IS THE PROPERTY OF QUICK QUOTE TEST DISTRIBUTOR AND MAY NOT BE COPIED OR DISTRIBUTED IN ANY WAY DETRIMENTAL TO QUICK QUOTE TEST DISTRIBUTOR WITHOUT WRITTEN PERMISSION FROM QUICK QUOTE TEST DISTRIBUTOR

VERSION PROJECT I.D.  
1 B401-170-999

SHEET 6 OF 10

	2			
5	6	7	8	
	10			
Face Legend				



THIS DESIGN HAS BEEN GENERATED BY AN AUTOMATED PROCESS AND IS BASED SOLELY ON DIGITAL INPUT FROM YOU, QUICK QUOTE TEST DISTRIBUTOR AND/OR QUICK QUOTE CUSTOMER. CAREFUL CONSIDERATION MUST BE GIVEN TO THE CIRCUIT AND THE RESULTING MANIFOLD DESIGN PRIOR TO THE MANUFACTURING AND INSTALLATION OF THE ASSEMBLY.

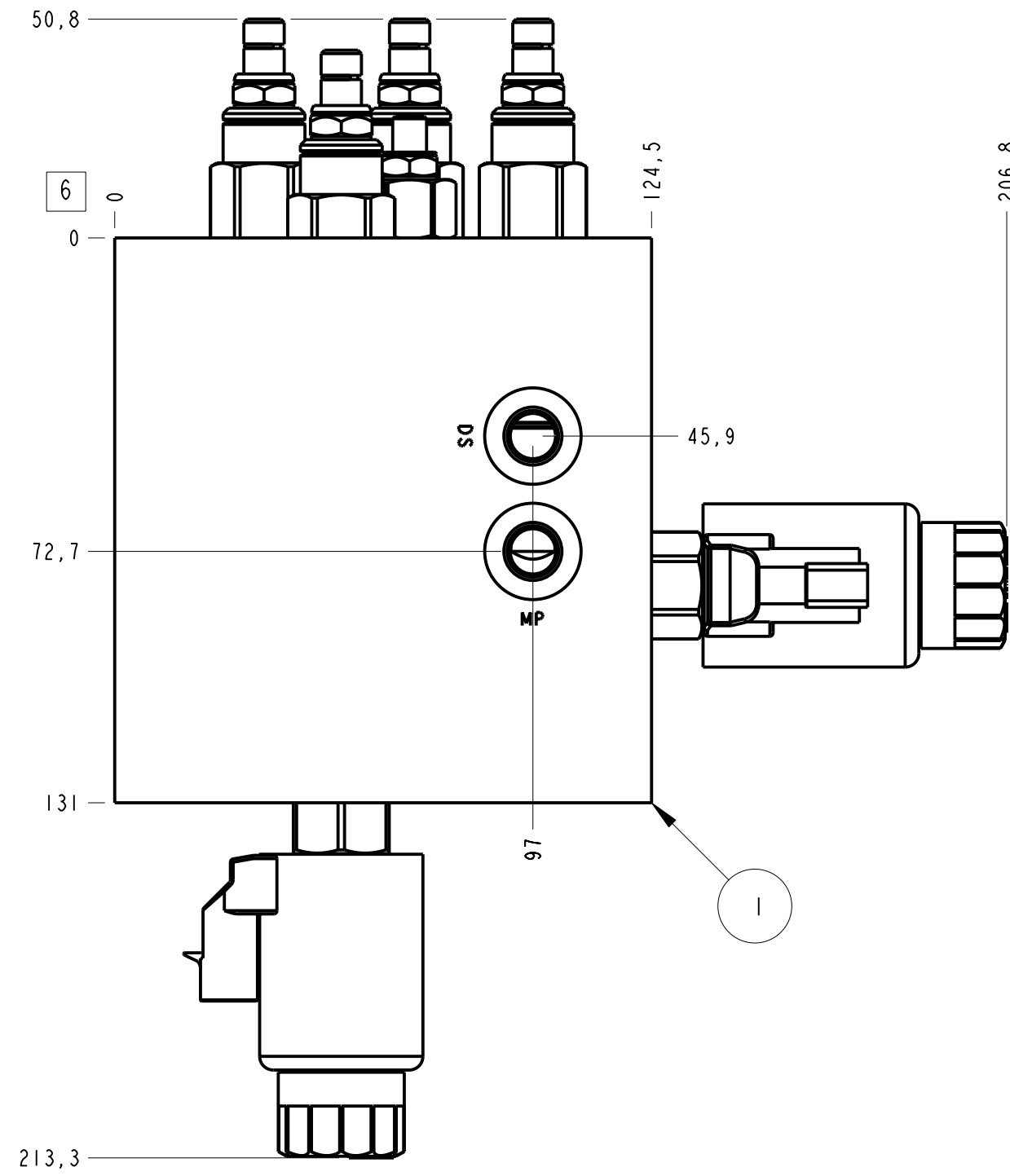
DESIGNED BY: LISA COOLBETH	DATE 17JAN2014	ALL DIMENSIONS IN MM VIEWS ARE THIRD ANGLE	FIRST ANGLE	THIRD ANGLE
REFERENCE	SCALE 0.700	TITLE CUSTOM MANIFOLD FOR QUICK QUOTE CUSTOMER BY QUICK QUOTE TEST DISTRIBUTOR	VERSION 1	PROJECT I.D. B401-170-999

THIS DRAWING AND DESIGN IS THE PROPERTY OF QUICK QUOTE TEST DISTRIBUTOR AND MAY NOT BE COPIED OR DISTRIBUTED IN ANY WAY DETRIMENTAL TO QUICK QUOTE TEST DISTRIBUTOR WITHOUT WRITTEN PERMISSION FROM QUICK QUOTE TEST DISTRIBUTOR

VERSION	PROJECT I.D.
1	B401-170-999

SHEET 7 OF 10

2
5 6 7 8
10
Face Legend



THIS DESIGN HAS BEEN GENERATED BY AN AUTOMATED PROCESS AND IS BASED SOLELY ON DIGITAL INPUT FROM YOU, QUICK QUOTE TEST DISTRIBUTOR AND/OR QUICK QUOTE CUSTOMER. CAREFUL CONSIDERATION MUST BE GIVEN TO THE CIRCUIT AND THE RESULTING MANIFOLD DESIGN PRIOR TO THE MANUFACTURING AND INSTALLATION OF THE ASSEMBLY.

DESIGNED BY: LISA COOLBETH	DATE 17JAN2014	ALL DIMENSIONS IN MM VIEWS ARE THIRD ANGLE	FIRST ANGLE	THIRD ANGLE
REFERENCE	SCALE 0.700	TITLE CUSTOM MANIFOLD FOR QUICK QUOTE CUSTOMER BY QUICK QUOTE TEST DISTRIBUTOR	VERSION 1	PROJECT I.D. B401-170-999



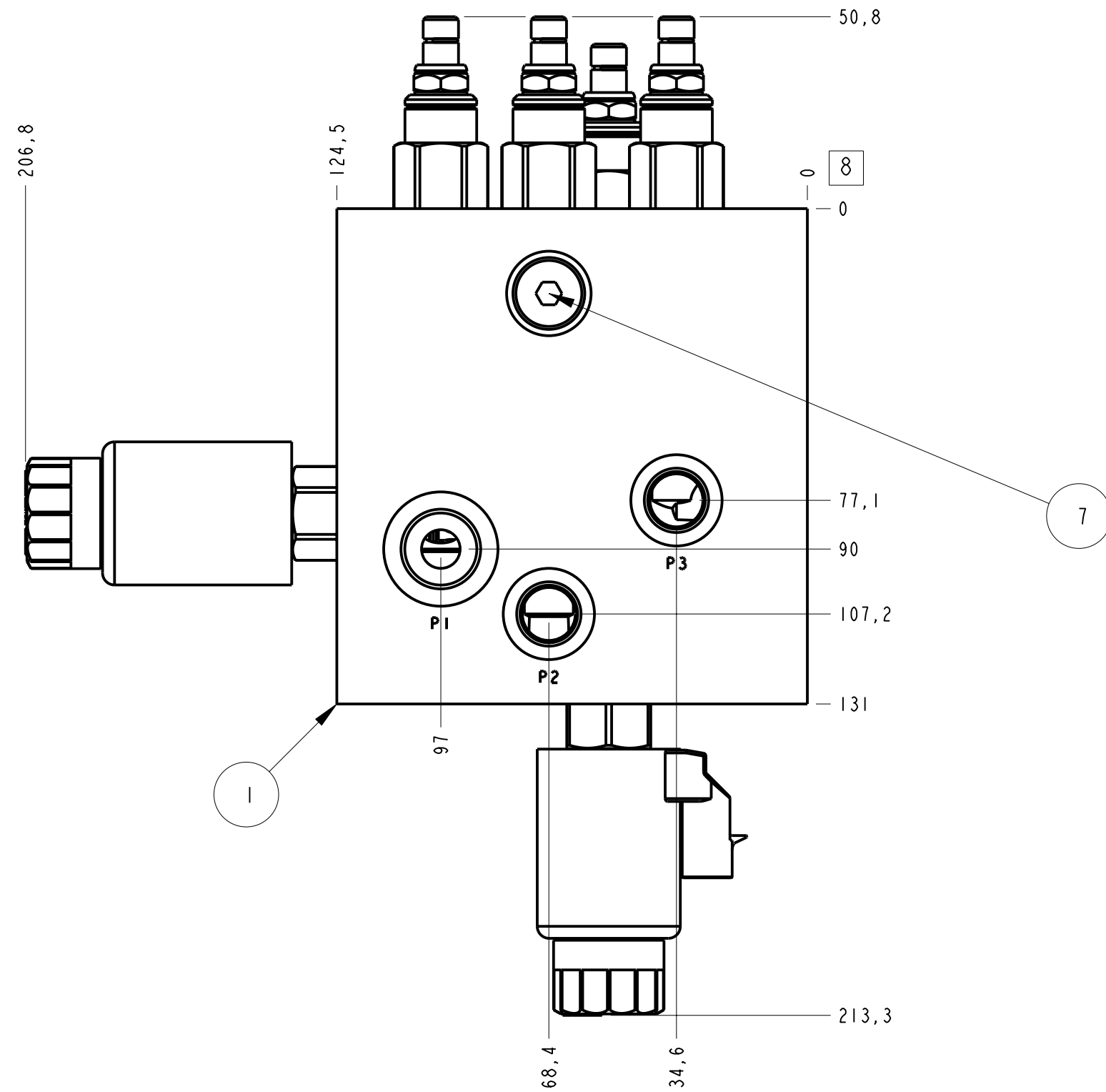


THIS DRAWING AND DESIGN IS THE PROPERTY OF QUICK QUOTE TEST DISTRIBUTOR AND MAY NOT BE COPIED OR DISTRIBUTED IN ANY WAY DETRIMENTAL TO QUICK QUOTE TEST DISTRIBUTOR WITHOUT WRITTEN PERMISSION FROM QUICK QUOTE TEST DISTRIBUTOR

VERSION PROJECT I.D.  
1 B401-170-999

SHEET 9 OF 10

2
5 6 7 8
10
Face Legend



THIS DESIGN HAS BEEN GENERATED BY AN AUTOMATED PROCESS AND IS BASED SOLELY ON DIGITAL INPUT FROM YOU, QUICK QUOTE TEST DISTRIBUTOR AND/OR QUICK QUOTE CUSTOMER. CAREFUL CONSIDERATION MUST BE GIVEN TO THE CIRCUIT AND THE RESULTING MANIFOLD DESIGN PRIOR TO THE MANUFACTURING AND INSTALLATION OF THE ASSEMBLY.

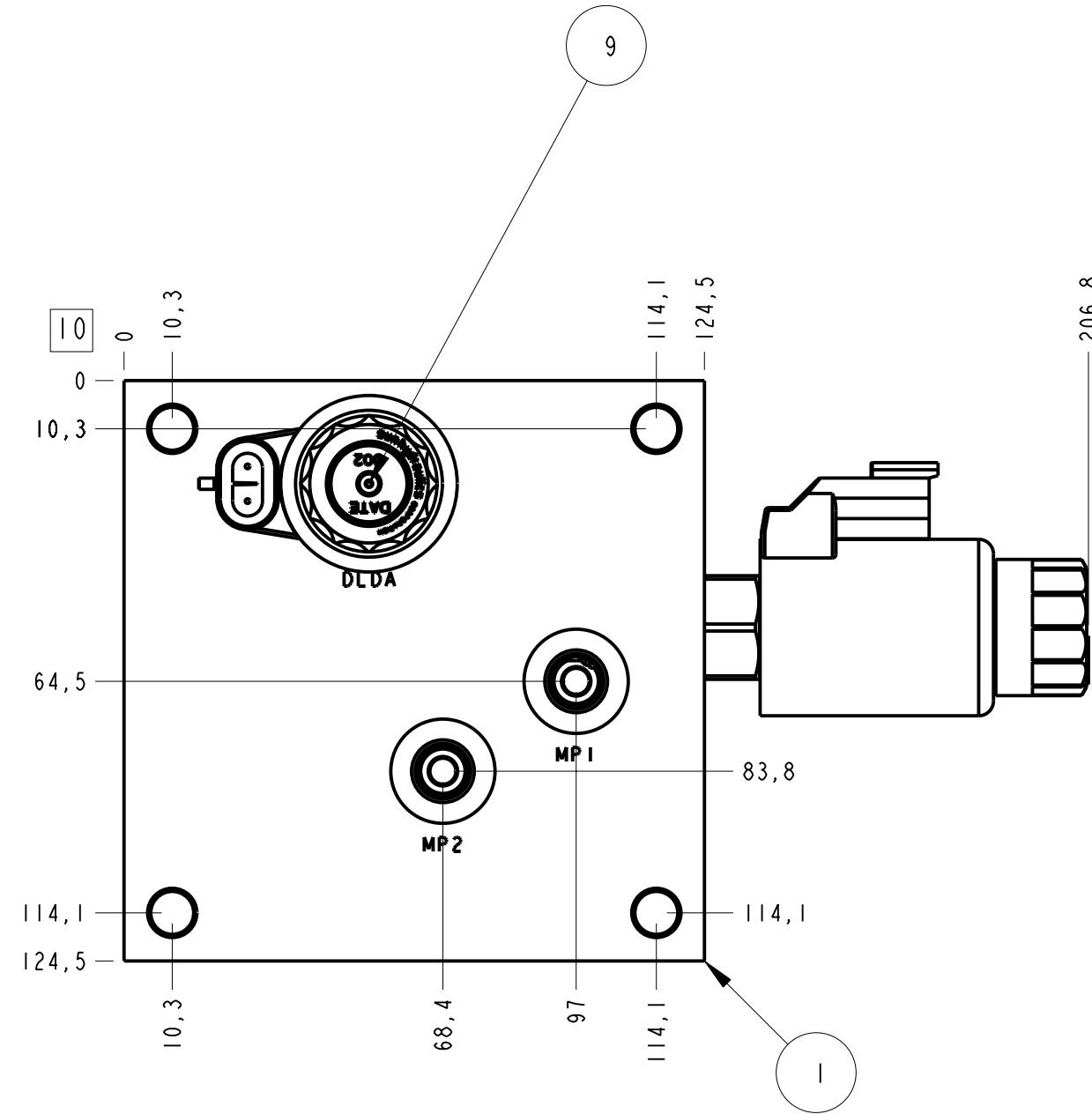
DESIGNED BY: LISA COOLBETH	DATE 17 JAN 2014	ALL DIMENSIONS IN MM VIEWS ARE THIRD ANGLE	FIRST ANGLE	THIRD ANGLE
REFERENCE	SCALE 0.700	TITLE CUSTOM MANIFOLD FOR QUICK QUOTE CUSTOMER BY QUICK QUOTE TEST DISTRIBUTOR	VERSION 1	PROJECT I.D. B401-170-999

THIS DRAWING AND DESIGN IS THE PROPERTY OF QUICK QUOTE TEST DISTRIBUTOR AND MAY NOT BE COPIED OR DISTRIBUTED IN ANY WAY DETRIMENTAL TO QUICK QUOTE TEST DISTRIBUTOR WITHOUT WRITTEN PERMISSION FROM QUICK QUOTE TEST DISTRIBUTOR

VERSION PROJECT I.D.  
1 B401-170-999

SHEET 10 OF 10

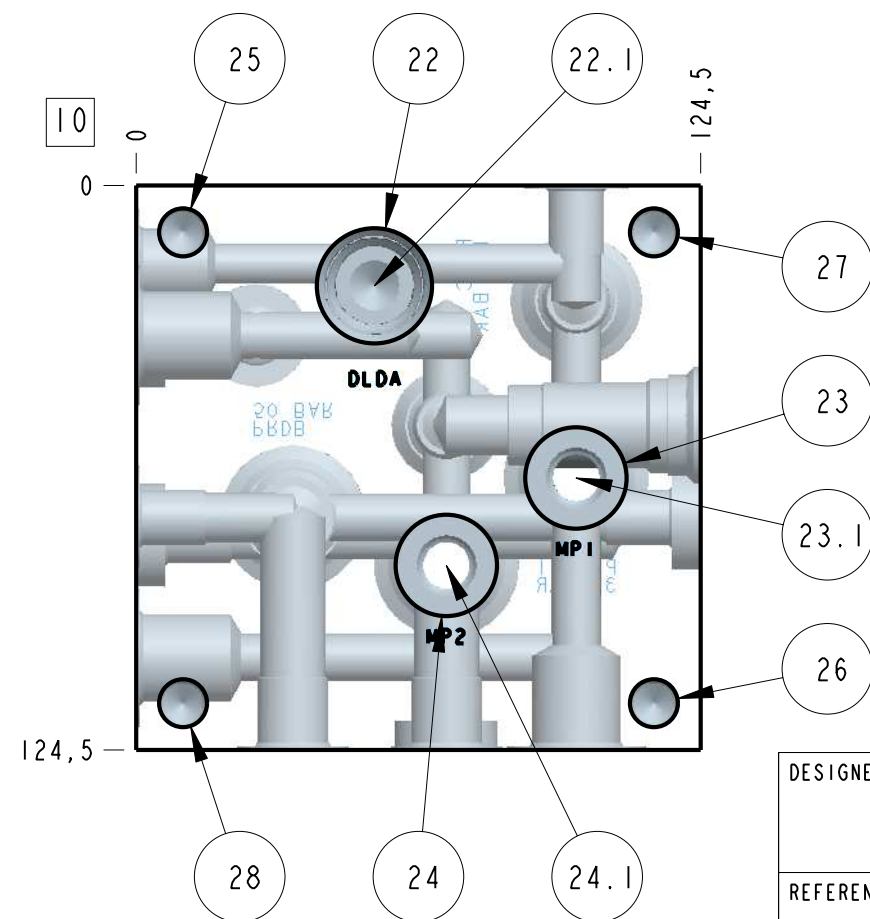
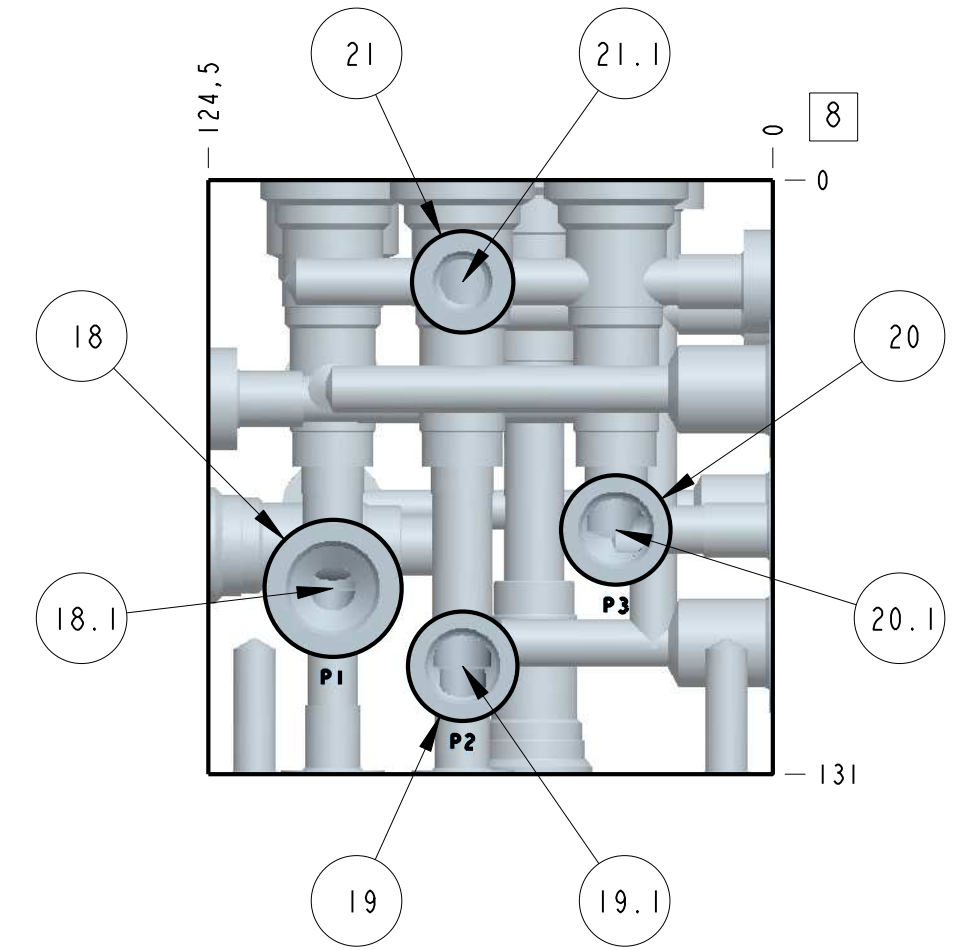
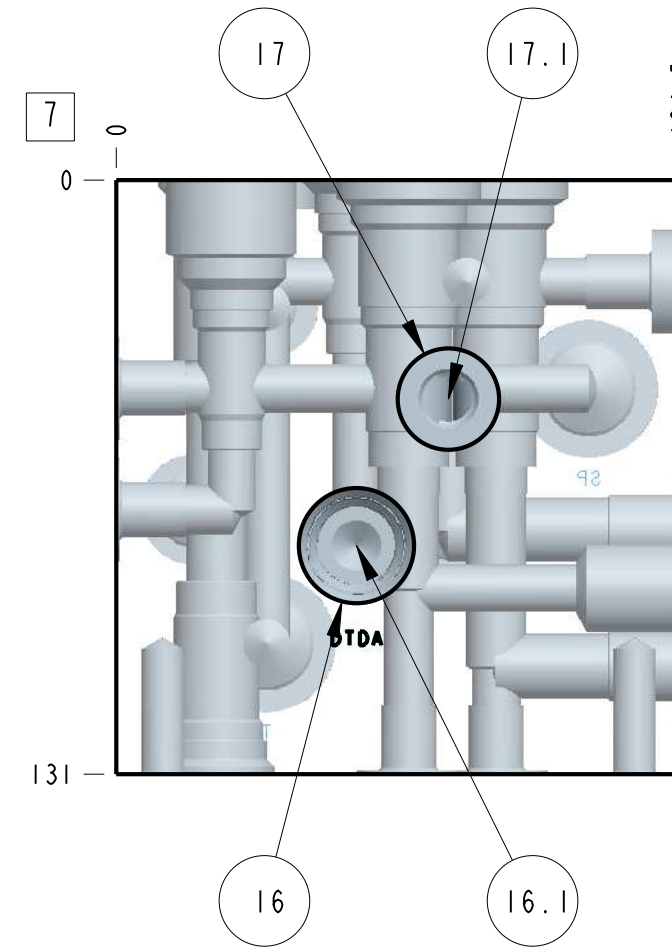
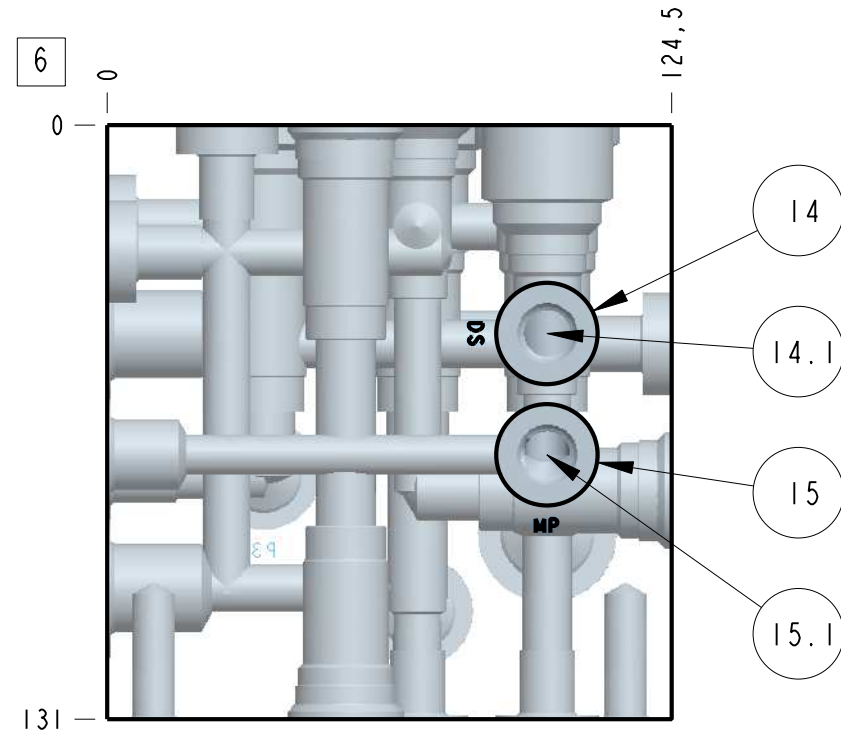
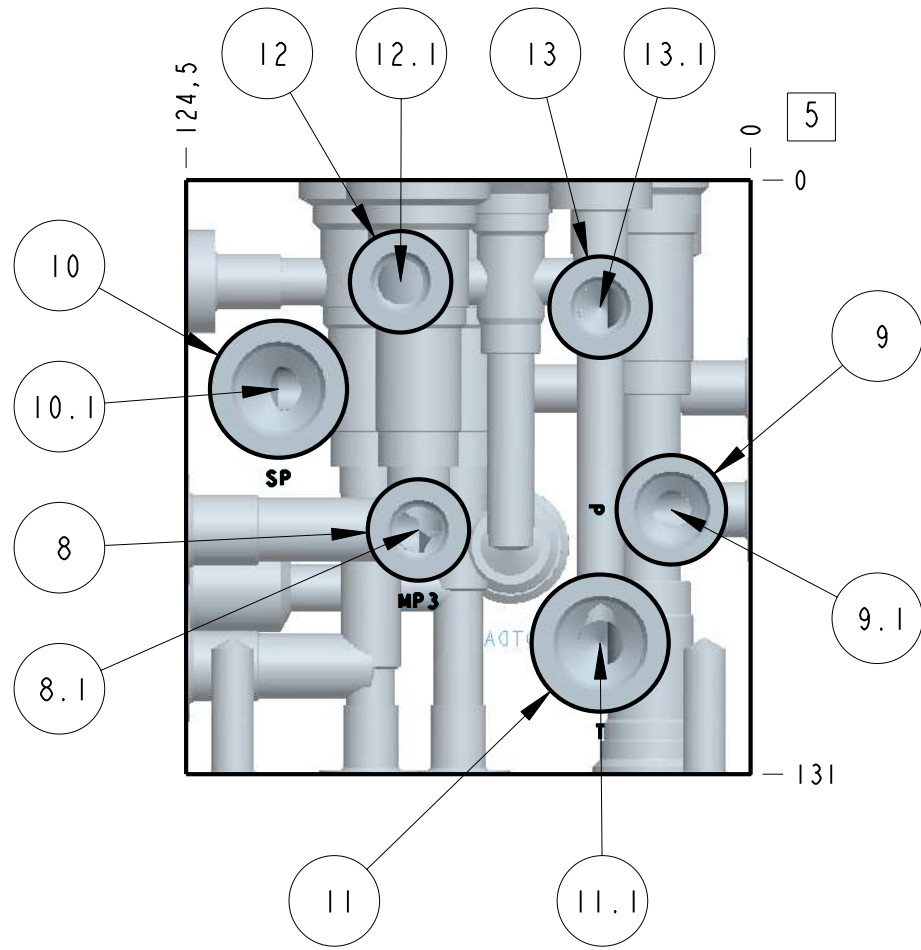
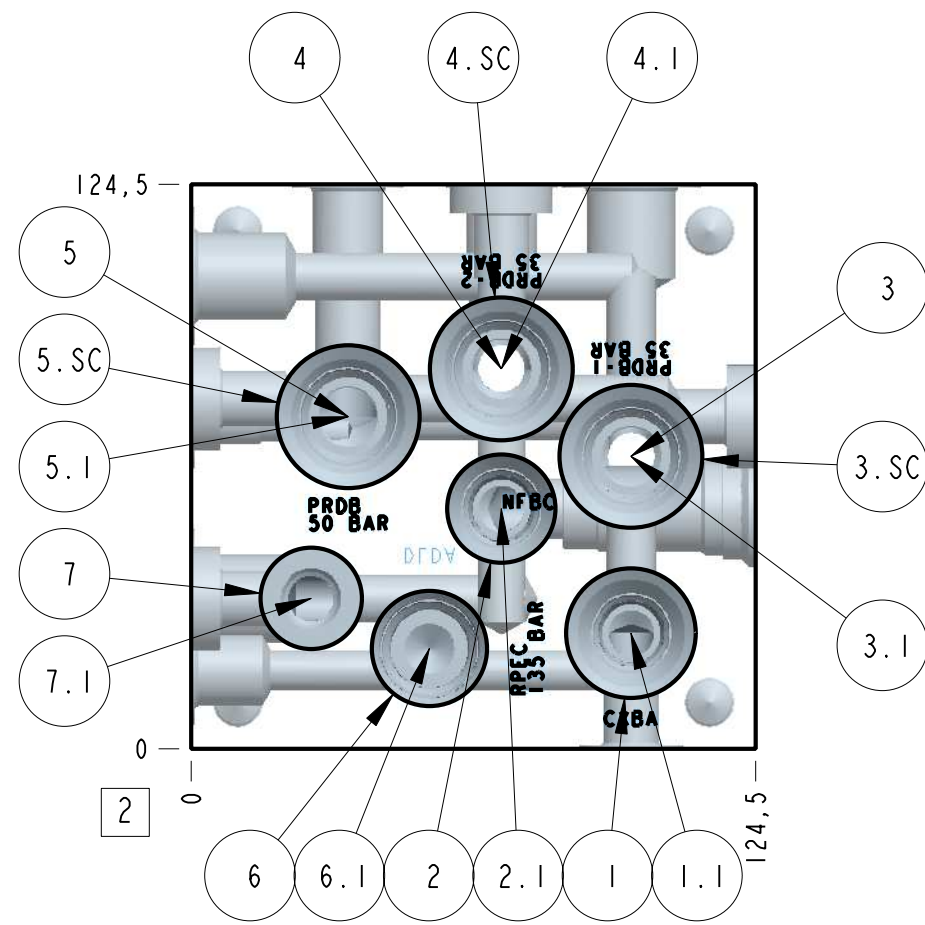
2
5 6 7 8
10
Face Legend



THIS DESIGN HAS BEEN GENERATED BY AN AUTOMATED PROCESS AND IS BASED SOLELY ON DIGITAL INPUT FROM YOU, QUICK QUOTE TEST DISTRIBUTOR AND/OR QUICK QUOTE CUSTOMER. CAREFUL CONSIDERATION MUST BE GIVEN TO THE CIRCUIT AND THE RESULTING MANIFOLD DESIGN PRIOR TO THE MANUFACTURING AND INSTALLATION OF THE ASSEMBLY.

DESIGNED BY: LISA COOLBETH	DATE 17 JAN 2014	ALL DIMENSIONS IN MM VIEWS ARE THIRD ANGLE	FIRST ANGLE 	THIRD ANGLE 
REFERENCE	SCALE 0.700	TITLE CUSTOM MANIFOLD FOR QUICK QUOTE CUSTOMER BY QUICK QUOTE TEST DISTRIBUTOR	VERSION 1	PROJECT I.D. B401-170-999

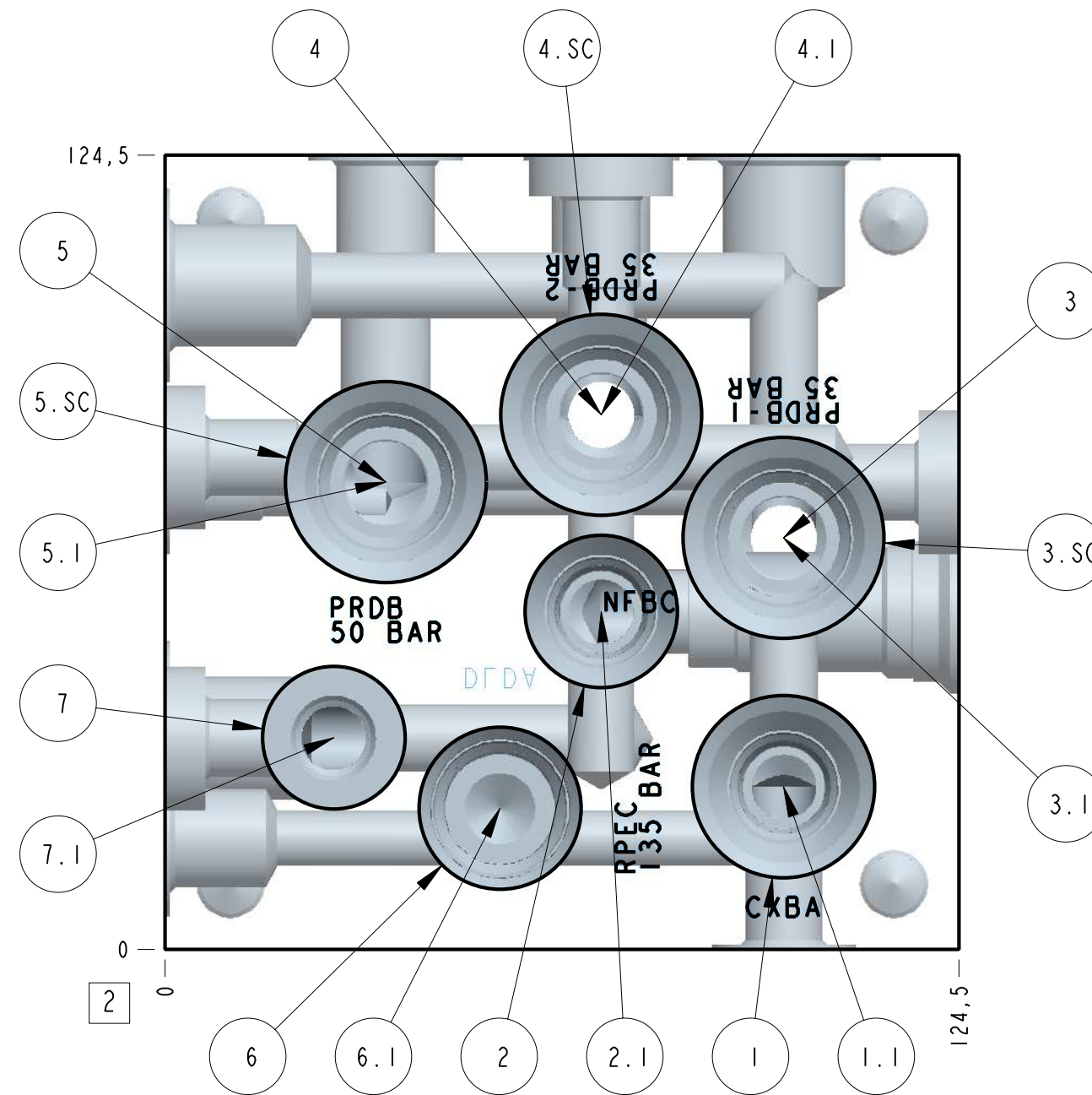
	2			
5	6	7	8	
	10			
Face Legend				



THIS DESIGN HAS BEEN GENERATED BY AN AUTOMATED PROCESS AND IS BASED SOLELY ON YOUR DIGITAL INPUT. CAREFUL CONSIDERATION MUST BE GIVEN TO THE CIRCUIT AND THE RESULTING MANIFOLD DESIGN PRIOR TO THE MANUFACTURING AND INSTALLATION OF THE ASSEMBLY.

DESIGNED BY: LISA COOLBETH	DATE 17JAN2014	ALL DIMENSIONS IN MM VIEWS ARE THIRD ANGLE	FIRST ANGLE	THIRD ANGLE
REFERENCE	SCALE 0.600	TITLE CUSTOM MANIFOLD FOR QUICK QUOTE CUSTOMER	VERSION 1	PROJECT I.D. B401-170-999

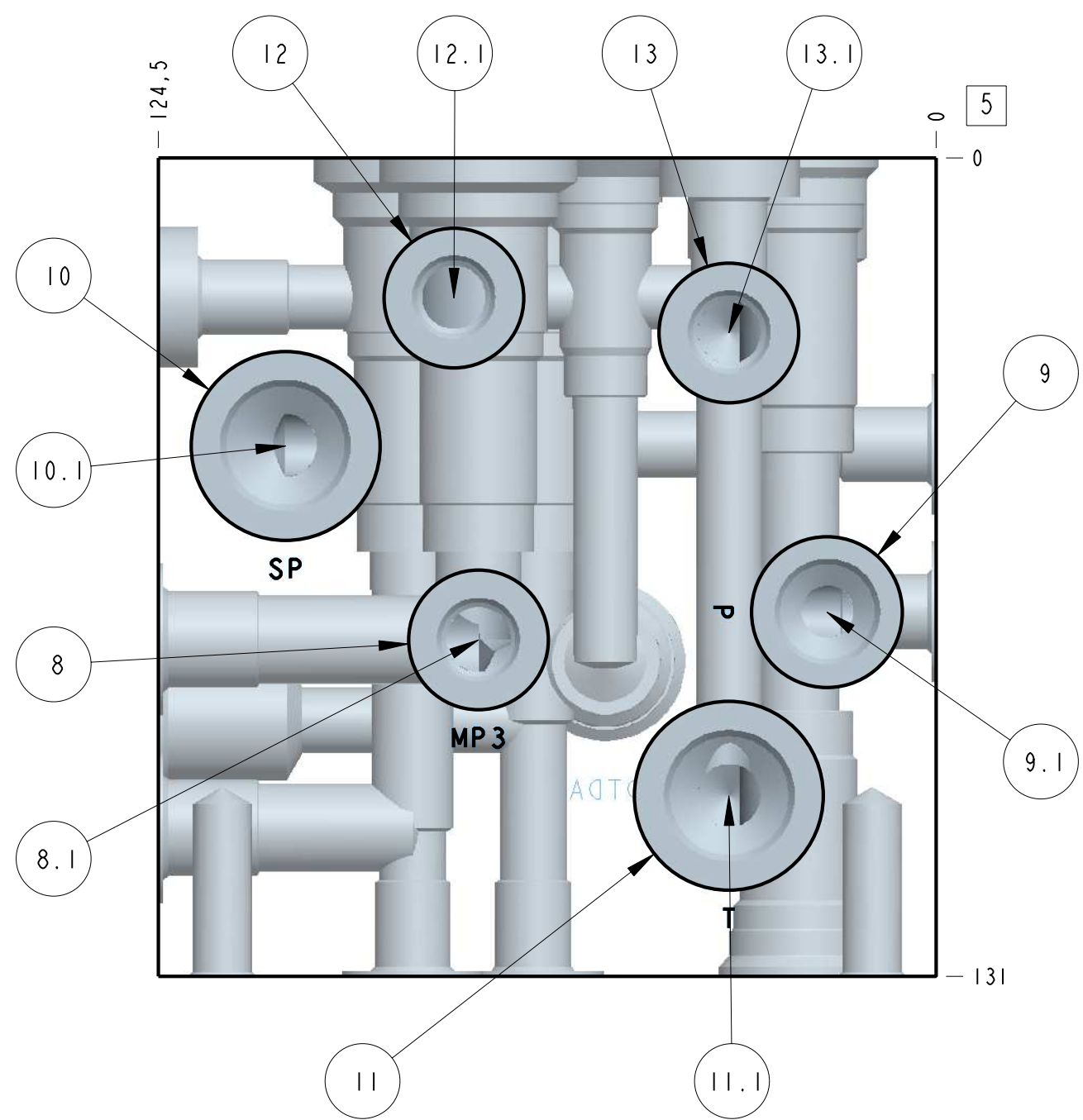
2
5 6 7 8
10
Face Legend



THIS DESIGN HAS BEEN GENERATED BY AN AUTOMATED PROCESS AND IS BASED SOLELY ON YOUR DIGITAL INPUT. CAREFUL CONSIDERATION MUST BE GIVEN TO THE CIRCUIT AND THE RESULTING MANIFOLD DESIGN PRIOR TO THE MANUFACTURING AND INSTALLATION OF THE ASSEMBLY.

DESIGNED BY: LISA COOLBETH	DATE 17JAN2014	ALL DIMENSIONS IN MM VIEWS ARE THIRD ANGLE	FIRST ANGLE	THIRD ANGLE
REFERENCE	SCALE 1.000	TITLE CUSTOM MANIFOLD FOR QUICK QUOTE CUSTOMER	VERSION 1	PROJECT I.D. B401-170-999

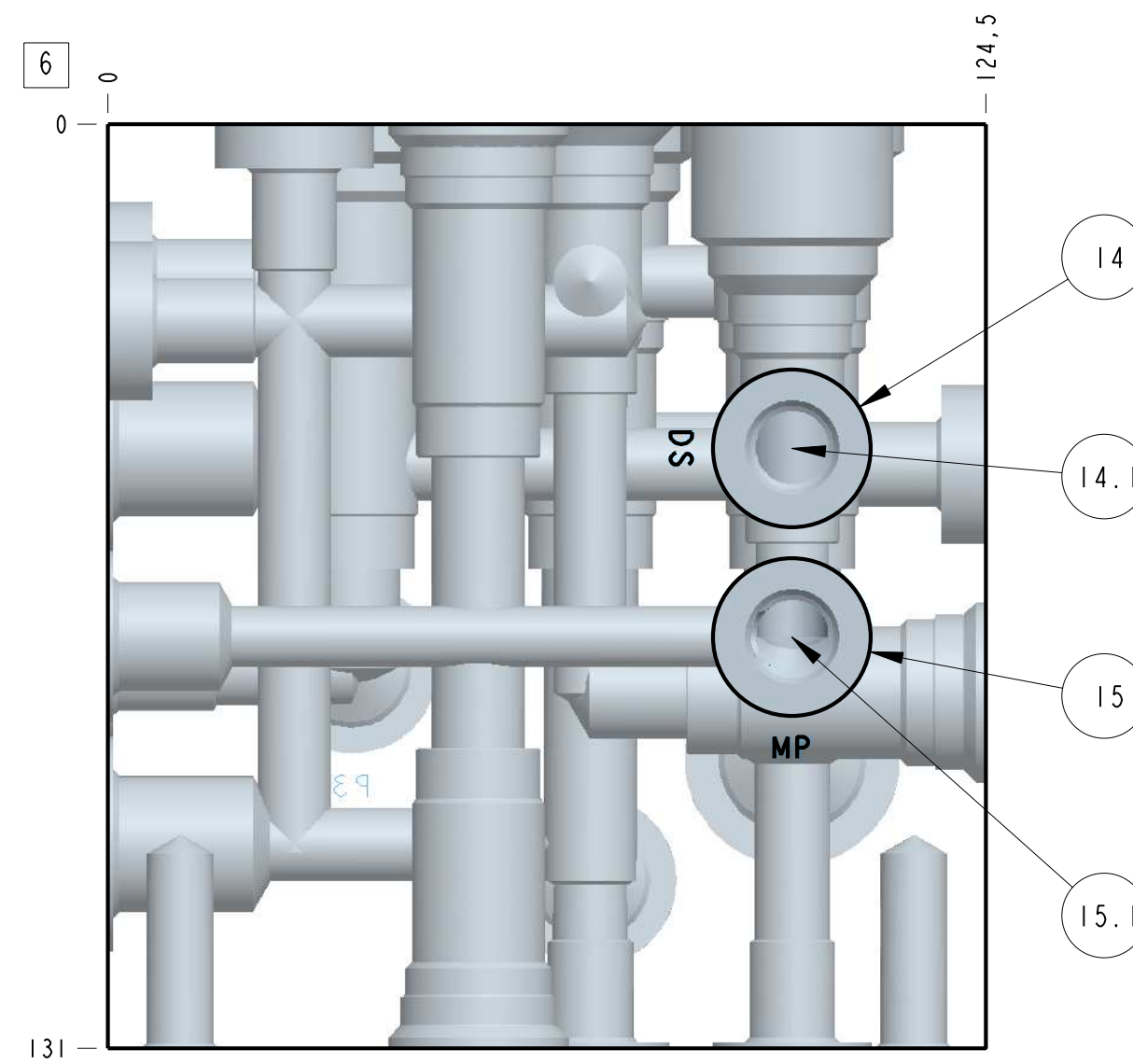
	2		
5	6	7	8
	10		
Face Legend			



THIS DESIGN HAS BEEN GENERATED BY AN AUTOMATED PROCESS AND IS BASED SOLELY ON YOUR DIGITAL INPUT. CAREFUL CONSIDERATION MUST BE GIVEN TO THE CIRCUIT AND THE RESULTING MANIFOLD DESIGN PRIOR TO THE MANUFACTURING AND INSTALLATION OF THE ASSEMBLY.

DESIGNED BY: LISA COOLBETH	DATE 17JAN2014	ALL DIMENSIONS IN MM VIEWS ARE THIRD ANGLE	FIRST ANGLE	THIRD ANGLE
REFERENCE	SCALE 1.000	TITLE CUSTOM MANIFOLD FOR QUICK QUOTE CUSTOMER	VERSION 1	PROJECT I.D. B401-170-999

	2		
5	6	7	8
	10		
Face Legend			

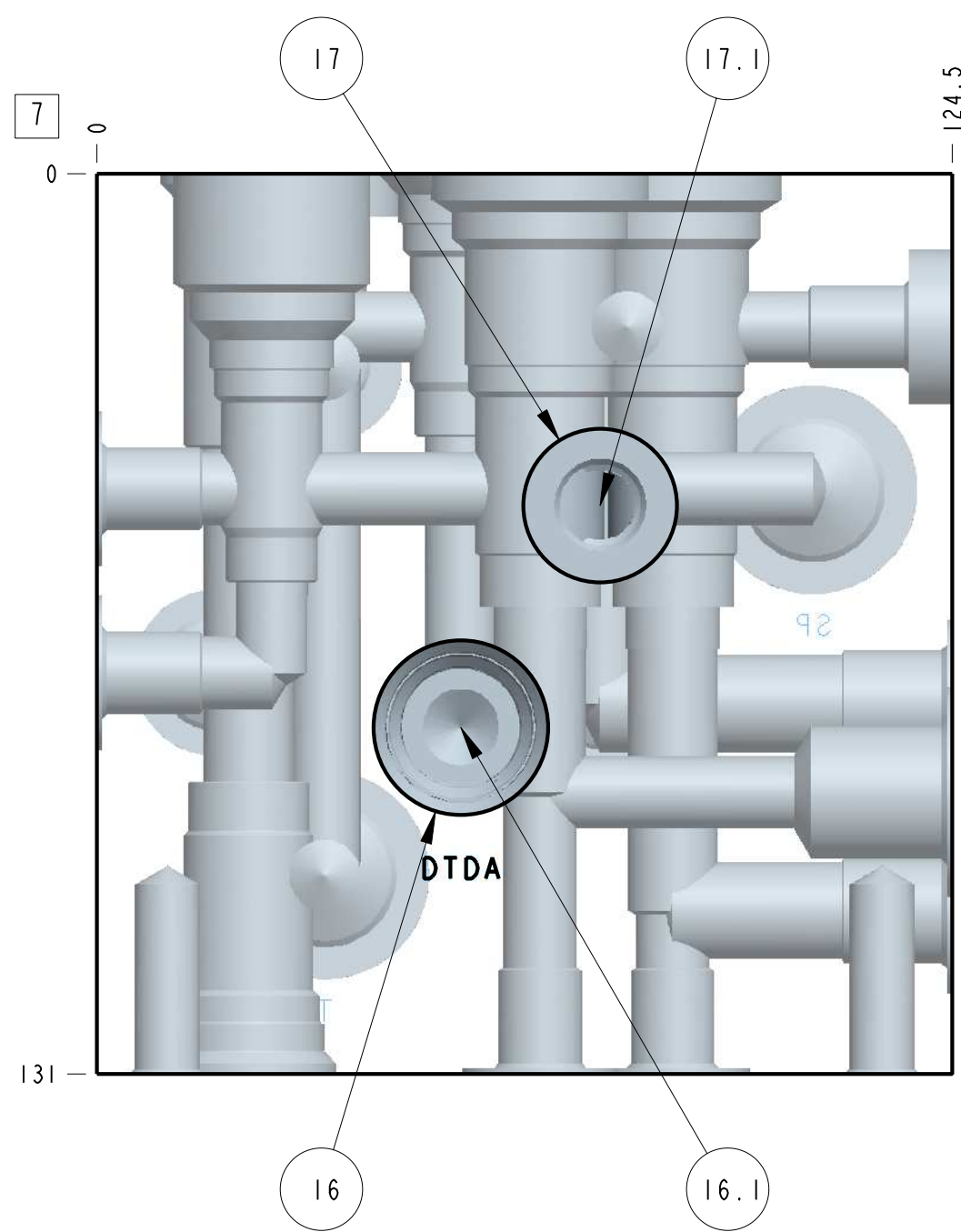


THIS DESIGN HAS BEEN GENERATED BY AN AUTOMATED PROCESS AND IS BASED SOLELY ON YOUR DIGITAL INPUT. CAREFUL CONSIDERATION MUST BE GIVEN TO THE CIRCUIT AND THE RESULTING MANIFOLD DESIGN PRIOR TO THE MANUFACTURING AND INSTALLATION OF THE ASSEMBLY.

DESIGNED BY: LISA COOLBETH	DATE 17JAN2014	ALL DIMENSIONS IN MM VIEWS ARE THIRD ANGLE	FIRST ANGLE	THIRD ANGLE
REFERENCE	SCALE 1.000	TITLE CUSTOM MANIFOLD FOR QUICK QUOTE CUSTOMER	VERSION 1	PROJECT I.D. B401-170-999



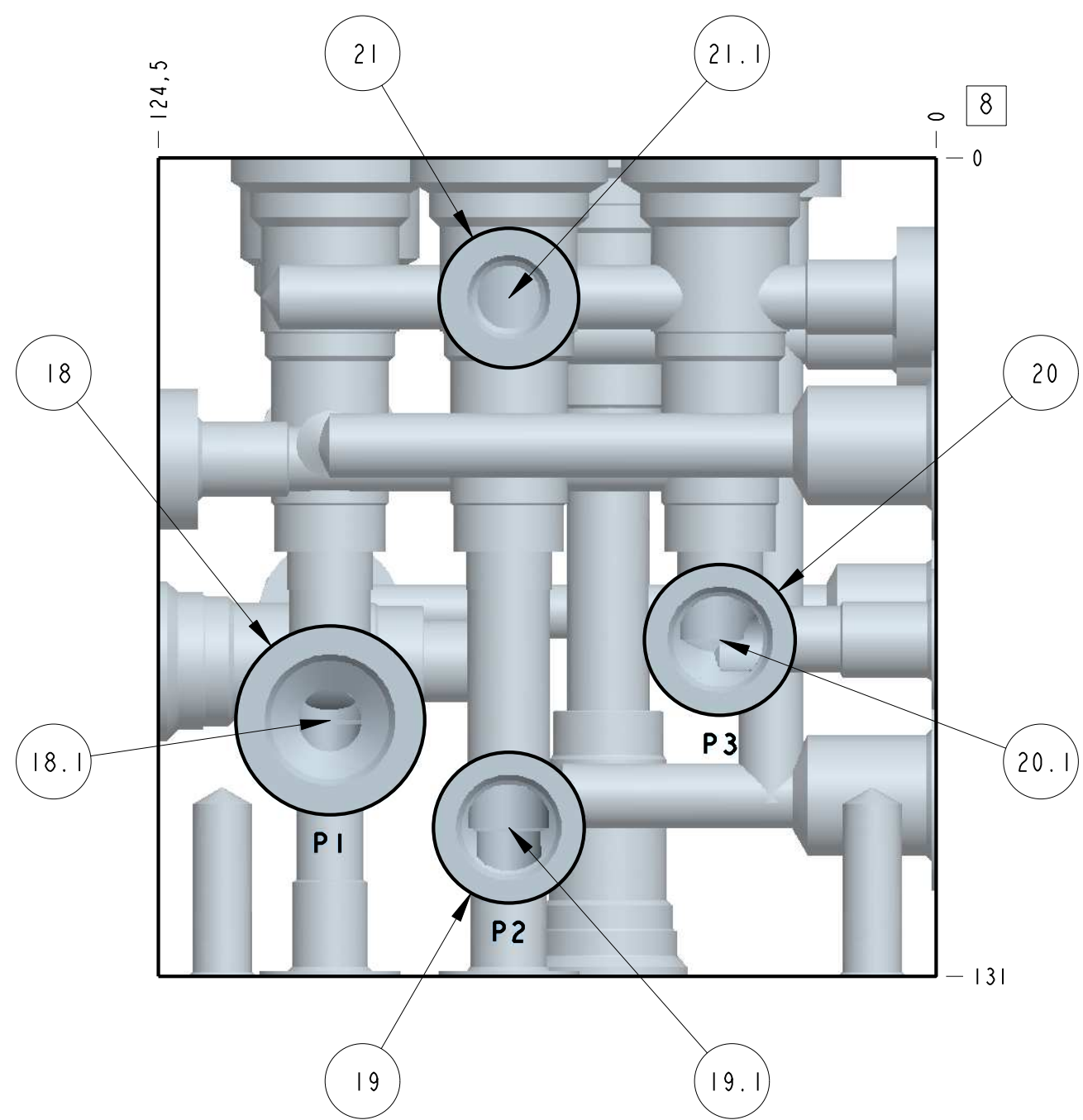
2			
5	6	7	8
			10
Face Legend			



THIS DESIGN HAS BEEN GENERATED BY AN AUTOMATED PROCESS AND IS BASED SOLELY ON YOUR DIGITAL INPUT. CAREFUL CONSIDERATION MUST BE GIVEN TO THE CIRCUIT AND THE RESULTING MANIFOLD DESIGN PRIOR TO THE MANUFACTURING AND INSTALLATION OF THE ASSEMBLY.

DESIGNED BY: LISA COOLBETH	DATE 17JAN2014	ALL DIMENSIONS IN MM VIEWS ARE THIRD ANGLE	FIRST ANGLE 	THIRD ANGLE 
REFERENCE	SCALE 1.000	TITLE CUSTOM MANIFOLD FOR QUICK QUOTE CUSTOMER	VERSION 1	PROJECT I.D. B401-170-999

2
5 6 7 8
10
Face Legend

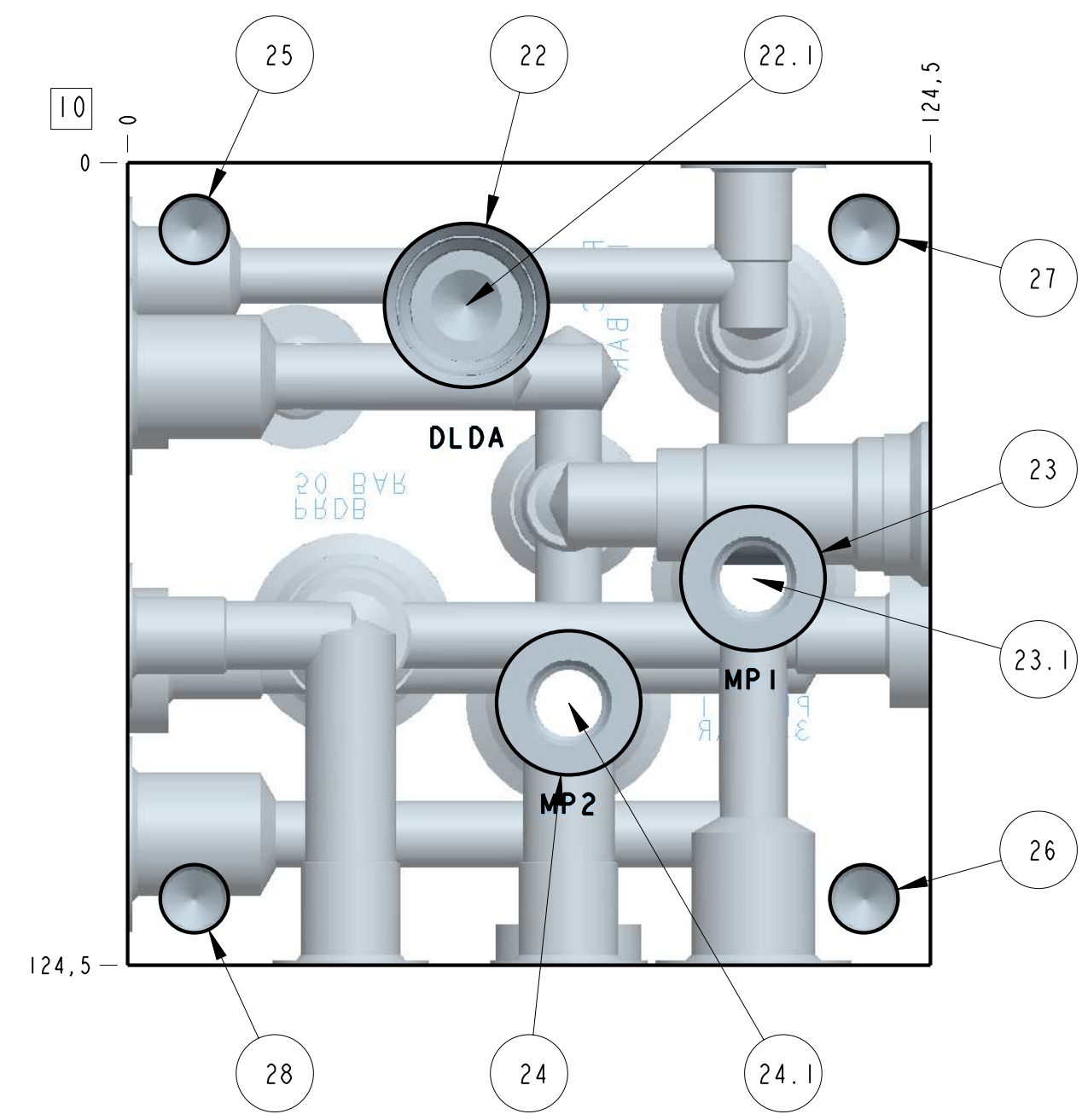


THIS DESIGN HAS BEEN GENERATED BY AN AUTOMATED PROCESS AND IS BASED SOLELY ON YOUR DIGITAL INPUT. CAREFUL CONSIDERATION MUST BE GIVEN TO THE CIRCUIT AND THE RESULTING MANIFOLD DESIGN PRIOR TO THE MANUFACTURING AND INSTALLATION OF THE ASSEMBLY.

DESIGNED BY: LISA COOLBETH	DATE 17JAN2014	ALL DIMENSIONS IN MM VIEWS ARE THIRD ANGLE	FIRST ANGLE	THIRD ANGLE
REFERENCE	SCALE 1.000	TITLE CUSTOM MANIFOLD FOR QUICK QUOTE CUSTOMER	VERSION 1	PROJECT I.D. B401-170-999



2
5 6 7 8
10
Face Legend



THIS DESIGN HAS BEEN GENERATED BY AN AUTOMATED PROCESS AND IS BASED SOLELY ON YOUR DIGITAL INPUT. CAREFUL CONSIDERATION MUST BE GIVEN TO THE CIRCUIT AND THE RESULTING MANIFOLD DESIGN PRIOR TO THE MANUFACTURING AND INSTALLATION OF THE ASSEMBLY.

DESIGNED BY: LISA COOLBETH	DATE 17JAN2014	ALL DIMENSIONS IN MM VIEWS ARE THIRD ANGLE	FIRST ANGLE	THIRD ANGLE
REFERENCE	SCALE 1.000	TITLE CUSTOM MANIFOLD FOR QUICK QUOTE CUSTOMER	VERSION 1	PROJECT I.D. B401-170-999

## Drill Table (Dribble) for B401-170-999

Rev: 1, Jan 17 2014 11:23AM

Distributor: Quick Quote Test Distributor

Sales Person: Lisa Coolbeth

Current Date/Time: Jan 17 2014 11:51AM

Inch

Metric

No.	Feature	Operation	Tool/Dia	Vert	Horiz	Depth	Incl	Rot	Remarks
LLT	FACE #2			124.5	124.5	131.0			
1	SUN T-162A CAVITY	Sun Cavity	T-162A	25.5	97.0	28.4			DEPTH IS L.S. DEPTH
1.2	(PORT 2)								Connects with 10.1, 14.1, 17.1, 3.2, 4.2, 5.2
1.1	10.2 MM DIA DRILLED HOLE		10.2	25.5	97.0	72.7			Connects with 15.1, 22.1, 6.1, 9.1
2	SUN T-162A CAVITY	Sun Cavity	T-162A	53.0	68.4	7.2			DEPTH IS L.S. DEPTH
2.2	(PORT 2)								Connects with 11.1, 12.1, 13.1, 21.1, 22.2, 3.3, 4.3, 5.3, 6.2, 7.1
2.1	10.2 MM DIA DRILLED HOLE		10.2	53.0	68.4	80.6			Connects with 16.1
3	SUN T-11A CAVITY	Sun Cavity	T-11A	64.5	97.0	27.8			DEPTH IS L.S. DEPTH
3.SC	31.5 MM DIA DRILLED HOLE		31.5	64.5	97.0	4.0			
3.3	(PORT 3)								Connects with 11.1, 12.1, 13.1, 2.2, 21.1, 22.2, 4.3, 5.3, 6.2, 7.1
3.2	(PORT 2)								Connects with 1.2, 10.1, 14.1, 17.1, 4.2, 5.2
3.1	13.0 MM DIA DRILLED HOLE		13.0	64.5	97.0	90.0			Connects with 16.2, 18.1, 23.1
4	SUN T-11A CAVITY	Sun Cavity	T-11A	83.8	68.4	27.8			DEPTH IS L.S. DEPTH
4.SC	31.5 MM DIA DRILLED HOLE		31.5	83.8	68.4	4.0			
4.3	(PORT 3)								Connects with 11.1, 12.1, 13.1, 2.2, 21.1, 22.2, 3.3, 5.3, 6.2, 7.1
4.2	(PORT 2)								Connects with 1.2, 10.1, 14.1, 17.1, 3.2, 5.2
4.1	13.0 MM DIA DRILLED HOLE		13.0	83.8	68.4	107.2			Connects with 19.1, 24.1
5	SUN T-11A CAVITY	Sun Cavity	T-11A	73.2	34.6	27.8			DEPTH IS L.S. DEPTH
5.SC	31.5 MM DIA DRILLED HOLE		31.5	73.2	34.6	4.0			
5.3	(PORT 3)								Connects with 11.1, 12.1, 13.1, 2.2, 21.1, 22.2, 3.3, 4.3, 6.2, 7.1
5.2	(PORT 2)								Connects with 1.2, 10.1, 14.1, 17.1, 3.2, 4.2
5.1	13.0 MM DIA DRILLED HOLE		13.0	73.2	34.6	77.1			Connects with 20.1, 8.1

6	SUN T-10A CAVITY	Sun Cavity	T-10A	22.1	52.5	7.4			DEPTH IS L.S. DEPTH
6.2	(PORT 2)								Connects with 11.1, 12.1, 13.1, 2.2, 21.1, 22.2, 3.3, 4.3, 5.3, 7.1
6.1	13.0 MM DIA DRILLED HOLE		13.0	22.1	52.5	68.9			Connects with 1.1, 15.1, 22.1, 9.1
7	SUN STD .250-19 BSPP PORT	Form Port	.250-19 BSPP	33.2	26.5	6.0			DEPTH IS S'FACE DEPTH
		Tap	G .250-19	33.2	26.5	12.0			
7.1	10.2 MM DIA DRILLED HOLE		10.2	33.2	26.5	103.1			Connects with 11.1, 12.1, 13.1, 2.2, 21.1, 22.2, 3.3, 4.3, 5.3, 6.2
URT	FACE #5			131.0	124.5	124.5			
10	SUN STD .500-14 BSPP PORT	Form Port	.500-14 BSPP	46.1	104.1				DEPTH IS S'FACE DEPTH
		Tap	G .500-14	46.1	104.1	15.0			
10.1	10.2 MM DIA DRILLED HOLE		10.2	46.1	104.1	97.0			Connects with 1.2, 14.1, 17.1, 3.2, 4.2, 5.2
11	SUN STD .500-14 BSPP PORT	Form Port	.500-14 BSPP	102.1	33.2				DEPTH IS S'FACE DEPTH
		Tap	G .500-14	102.1	33.2	15.0			
11.1	10.2 MM DIA DRILLED HOLE		10.2	102.1	33.2	59.7			Connects with 12.1, 13.1, 2.2, 21.1, 22.2, 3.3, 4.3, 5.3, 6.2, 7.1
12	SUN STD .250-19 BSPP PORT	Form Port	.250-19 BSPP	22.4	77.2	6.0			DEPTH IS S'FACE DEPTH
		Tap	G .250-19	22.4	77.2	12.0			
12.1	10.2 MM DIA DRILLED HOLE		10.2	22.4	77.2	104.8			Connects with 11.1, 13.1, 2.2, 21.1, 22.2, 3.3, 4.3, 5.3, 6.2, 7.1
13	SUN STD .250-19 BSPP PORT	Form Port	.250-19 BSPP	28.0	33.2	6.0			DEPTH IS S'FACE DEPTH
		Tap	G .250-19	28.0	33.2	12.0			
13.1	10.2 MM DIA DRILLED HOLE		10.2	28.0	33.2	73.5			Connects with 11.1, 12.1, 2.2, 21.1, 22.2, 3.3, 4.3, 5.3, 6.2, 7.1
8	SUN STD .250-19 BSPP PORT	Form Port	.250-19 BSPP	77.1	73.2				DEPTH IS S'FACE DEPTH
		Tap	G .250-19	77.1	73.2	12.0			
8.1	10.5 MM DIA DRILLED HOLE		10.5	77.1	73.2	34.6			Connects with 20.1, 5.1
9	SUN STD .375-19 BSPP PORT	Form Port	.375-19 BSPP	72.7	17.5				DEPTH IS S'FACE DEPTH
		Tap	G .375-19	72.7	17.5	12.0			
9.1	8.2 MM DIA DRILLED HOLE*		8.2	72.7	17.5	95.5			Connects with 1.1, 15.1, 22.1, 6.1
ULT	FACE #6			131.0	124.5	124.5			
14	SUN STD .250-19 BSPP PORT	Form Port	.250-19 BSPP	45.9	97.0				DEPTH IS S'FACE DEPTH
		Tap	G .250-19	45.9	97.0	12.0			
14.1	10.5 MM DIA DRILLED HOLE		10.5	45.9	97.0	104.1			Connects with 1.2, 10.1, 17.1, 3.2, 4.2, 5.2
15	SUN STD .250-19 BSPP PORT	Form Port	.250-19 BSPP	72.7	97.0				DEPTH IS S'FACE DEPTH
		Tap	G .250-19	72.7	97.0	12.0			

15.1	10.5 MM DIA DRILLED HOLE		10.5	72.7	97.0	25.5			Connects with 1.1, 22.1, 6.1, 9.1
ULB	FACE #7			131.0	124.5	124.5			
16	SUN T-13A CAVITY	Sun Cavity	T-13A	80.6	53.0	7.3			DEPTH IS L.S. DEPTH
16.2	(PORT 2)								Connects with 18.1, 23.1, 3.1
16.1	13.0 MM DIA DRILLED HOLE		13.0	80.6	53.0	56.1			Connects with 2.1
17	SUN STD .250-19 BSPP PORT	Form Port	.250-19 BSPP	48.3	73.2	6.0			DEPTH IS S'FACE DEPTH
		Tap	G .250-19	48.3	73.2	12.0			
17.1	10.2 MM DIA DRILLED HOLE		10.2	48.3	73.2	83.6			Connects with 1.2, 10.1, 14.1, 3.2, 4.2, 5.2
URB	FACE #8			131.0	124.5	124.5			
18	SUN STD .500-14 BSPP PORT	Form Port	.500-14 BSPP	90.0	97.0				DEPTH IS S'FACE DEPTH
		Tap	G .500-14	90.0	97.0	15.0			
18.1	10.2 MM DIA DRILLED HOLE		10.2	90.0	97.0	60.0			Connects with 16.2, 23.1, 3.1
19	SUN STD .375-19 BSPP PORT	Form Port	.375-19 BSPP	107.2	68.4				DEPTH IS S'FACE DEPTH
		Tap	G .375-19	107.2	68.4	12.0			
19.1	13.8 MM DIA DRILLED HOLE		13.8	107.2	68.4	40.7			Connects with 24.1, 4.1
20	SUN STD .375-19 BSPP PORT	Form Port	.375-19 BSPP	77.1	34.6				DEPTH IS S'FACE DEPTH
		Tap	G .375-19	77.1	34.6	12.0			
20.1	13.8 MM DIA DRILLED HOLE		13.8	77.1	34.6	51.2			Connects with 5.1, 8.1
21	SUN STD .250-19 BSPP PORT	Form Port	.250-19 BSPP	22.4	68.4	6.0			DEPTH IS S'FACE DEPTH
		Tap	G .250-19	22.4	68.4	12.0			
21.1	10.2 MM DIA DRILLED HOLE		10.2	22.4	68.4	96.4			Connects with 11.1, 12.1, 13.1, 2.2, 22.2, 3.3, 4.3, 5.3, 6.2, 7.1
ULB	FACE #10			124.5	124.5	131.0			
22	SUN T-13A CAVITY	Sun Cavity	T-13A	22.1	52.5	7.3			DEPTH IS L.S. DEPTH
22.2	(PORT 2)								Connects with 11.1, 12.1, 13.1, 2.2, 21.1, 3.3, 4.3, 5.3, 6.2, 7.1
22.1	13.0 MM DIA DRILLED HOLE		13.0	22.1	52.5	62.1			Connects with 1.1, 15.1, 6.1, 9.1
23	SUN STD .250-19 BSPP PORT	Form Port	.250-19 BSPP	64.5	97.0				DEPTH IS S'FACE DEPTH
		Tap	G .250-19	64.5	97.0	12.0			
23.1	10.5 MM DIA DRILLED HOLE		10.5	64.5	97.0	41.0			Connects with 16.2, 18.1, 3.1
24	SUN STD .250-19 BSPP PORT	Form Port	.250-19 BSPP	83.8	68.4				DEPTH IS S'FACE DEPTH
		Tap	G .250-19	83.8	68.4	12.0			
24.1	10.5 MM DIA DRILLED HOLE		10.5	83.8	68.4	23.8			Connects with 19.1, 4.1
25	M10 X 1.5 ISO STD THD HOLE	Drill	8.2	10.3	10.3	27.5			

		Tap	M10 x 1.5-6H	10.3	10.3	20.0			
26	M10 X 1.5 ISO STD THD HOLE	Drill	8.2	114.1	114.1	27.5			
		Tap	M10 x 1.5-6H	114.1	114.1	20.0			
27	M10 X 1.5 ISO STD THD HOLE	Drill	8.2	10.3	114.1	27.5			
		Tap	M10 x 1.5-6H	10.3	114.1	20.0			
28	M10 X 1.5 ISO STD THD HOLE	Drill	8.2	114.1	10.3	27.5			
		Tap	M10 x 1.5-6H	114.1	10.3	20.0			