

XMD-01/-02 ELECTRO-HYDRAULIC DRIVERS

BLUETOOTH CONFIGURABLE, CAN CAPABLE



CONFIGURABLE

Simple & fast setup
through free
Bluetooth app



RUGGED

Designed for extreme
environmental
conditions in the
mobile hydraulics
industry

UNIVERSAL

Use with any
electro-proportional
or solenoid
switching valve



✓ Quick setup profiles

Select between predefined single- and dual-coil profiles of typical pressure and flow configurations to create reliable solutions quickly.

✓ Diagnostic mode

Allows technicians worldwide to access alarm and operational conditions while engineered profiles are password protected for safety and security.

✓ Input / output shaping

Create a custom output curve for finely tuned joystick control or custom flow/pressure curves using universal inputs and CAN-received messages.





The XMD modules are single- and dual-coil electro-hydraulic drivers for use in mobile and industrial hydraulic equipment. Both the XMD-01 and -02 drivers offer CAN communication capabilities for easy system integration.

Configurable using Sun's free XMD Mobile smartphone app, the drivers come equipped for worldwide markets to control electrically operated hydraulic actuators used in on- and off-highway equipment, including agriculture, forestry, construction, marine, earth moving and material handling.

Tuned for optimal flow and pressure control using Sun valves, the XMD driver delivers repeatable and reliable solutions for your application demands.

To learn more about Sun's new XMD electro-hydraulic drivers, please contact your local Sun Distributor. Please visit www.sunhydraulics.com/distributors to find a Sun distributor near you.

METHOD OF CONSTRUCTION

Low-profile 12-pin Deutsch connector. Compatible with any DT06-12SA-XXX connector

Glass-filled enclosure is designed to meet UL94

LEDs for quick visual diagnostics - Power and Comm/Fault



High-strength bracket mount for low-profile design

Zinc nickel-plated mounting bracket (1,000-hour salt fog)

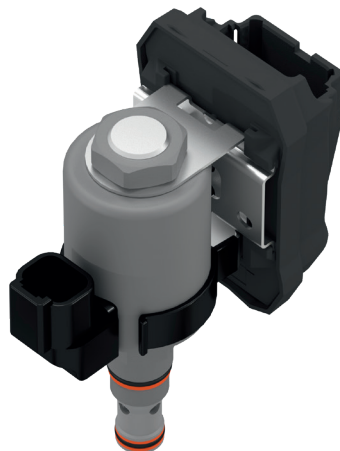
Flexible potting compound for PCB shock and vibration protection (49g peak)

Vent membrane for 0 pressure differential. Allows vapors to pass but not liquids

Zinc nickel-plated mounting bracket (1,000-hour salt fog)

Coil clips designed for 740 Series high- and low-power coils and 770 Series coils

Fits any FLeX Series solenoid valves with coils



Attaches behind remote mount bracket, no additional hardware required

Viton dipped for reduced wear to coil plating

12-pin I/O flexibility



The XMD open architecture allows for any type of termination to be used with pumps, CETOP valves, solenoid switching and proportional valves along with many others.

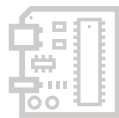
HOW IT WORKS

The XMD is designed for on- & off-highway mobile & industrial applications:

- Construction
- Agriculture
- Forestry
- Earth Moving
- Industrial Machines
- Fork Lifts



DISPLAYS



MASTER CONTROLLERS



CAN JOYSTICKS



CAN SENSORS



TELEMATICS

SAE J1939

CAN





Transmit universal inputs on CAN bus

2 UNIVERSAL INPUTS
0-5v, 0-10v, 4-20 mA, pulse, PWM, resistive and switch

2 OUTPUTS

PWM or duty cycle

CAN

Transmit XMD diagnostics, XMD input and output values



XMD MOBILE APP

The XMD Mobile app was developed with the user in mind. The features offer simple yet advanced capabilities for technicians, engineers and developers.

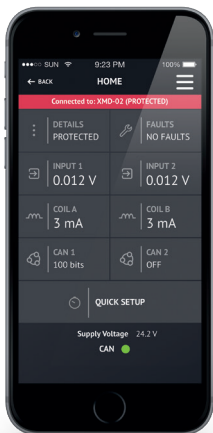


XMD MOBILE



HOME SCREEN

iPad version offers expanded information display



DIAGNOSTIC MODE

Access faults

Password protected settings

Real time I/O + CAN values

Tamper-proof intelligence



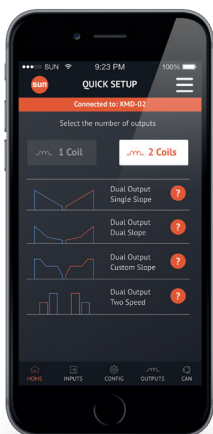
I/O SHAPING

IPAD

Complete output configurability

IPHONE

Simple and flexible configuration means no changes to master controller source code

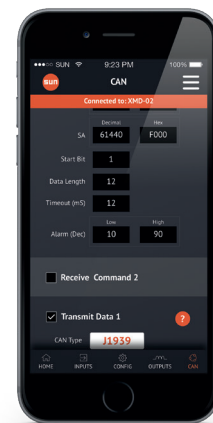


QUICK SETUP

Simple configurations

Easy setup

Typical applications profiles



CAN SETUP

Simple configurations

Maximum flexibility

GLOBAL REACH LOCAL SUPPORT



"The Bluetooth® word mark and logos are registered trademarks owned by the Bluetooth SIG, Inc. and any use of such marks by [licensee name] is under license. Other trademarks and trade names are those of their respective owners."

es-company.de



www.sunhydraulics.com

Sun Hydraulics Headquarters
Sarasota, Florida USA
+1 941 362 1200

Sun Hydraulics Limited
Coventry, England
+44 2476 217 400
sales@sunuk.com

Sun Hydraulics Corp. (S. America)
Rosario, Argentina
+54 9 341 584 3075
ventas@sunhydraulics.com

Sun Hydraulik GmbH
Erkelenz, Germany
+49 2431 80910
sales@sunhydraulik.de

Custom Fluid Power
Newcastle, Australia
+61 2 4953 5777
sales@custom.com.au

Sun Hydraulics Korea Corp.
Incheon, Korea
+82 3281 31350
sales@sunhydraulics.co.kr

Sun Hydraulics China Co. Ltd.
Shanghai, P.R. China
+86 2162 375885
sunchinainfo@sunhydraulics.com

Sun Hydraulics Corp. (India)
Bangalore, India
+91 8028 456325
sunindiainfo@sunhydraulics.com